

# **Parts catalogue**

## **LAWN MOWER**

**(EXPORT MODEL)**

**GRH535PRO(2Action)**

<b>MODEL</b>	<b>CODE</b>
<b>GRH535PRO</b>	<b>0276-</b>

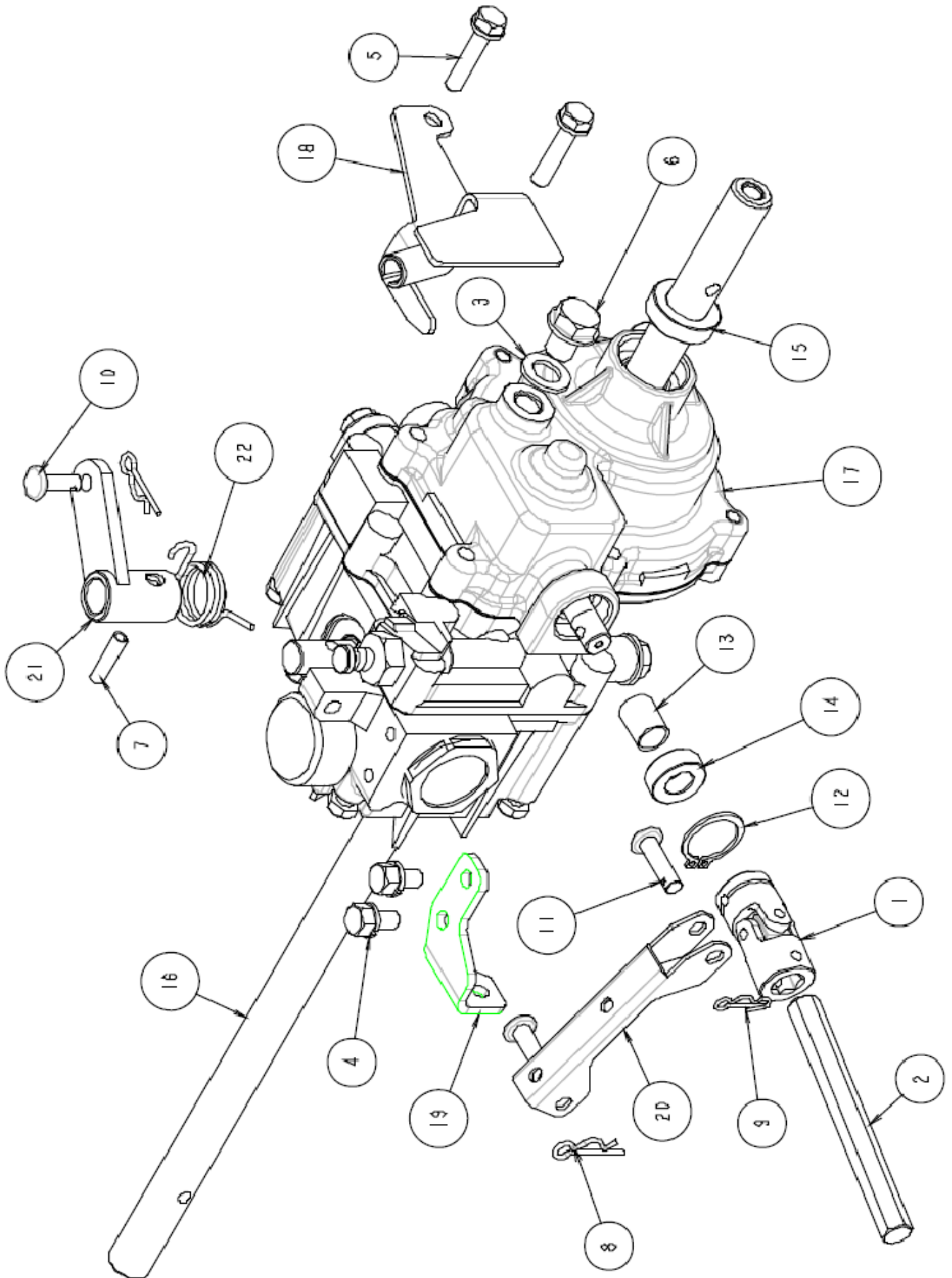
### **CONTENTS**

<b>Fig. 1 GEAR CASE -----</b>	<b>1</b>
<b>Fig. 2 GEAR CASE INSIDE, OUTSIDE-----</b>	<b>3</b>
<b>Fig. 3 SAFETY COVER -----</b>	<b>5</b>
<b>Fig. 4 WHEEL -----</b>	<b>7</b>
<b>Fig. 5 HANDLE -----</b>	<b>11</b>
<b>Fig. 6 BLADE AND BAG -----</b>	<b>13</b>

**OREC CO.,LTD**

*Update : April 2009*

**Fig.1 Gear Case**



# Fig.1 Gear Case

Ref.	Parts No.	Parts Name	Quantity		Remarks
			GRH535 PRO (2Action)		
			GXV160		
	0276-00010	Gear Case Assy	1		*2)
	0276-00020	Gear Case Assy	1		*1) 3)
1	80-1020-515-00	Universal Joint NC-10-37C1	1		
2	80-1020-526-00	Drive Shaft H 136L	1		
3	83-1020-349-00	Copper Packing 10.5*18*1.6	2		
4	89-1132-060122	Hexagonal Bolt (SW) M6*12	2		
5	89-1135-060302	Hexagonal Bolt (SW) M6*30	2		
6	89-1252-100123	Flange Mini Hexagonal Bolt M10*12	2		
7	89-2111-050020	Spring Pin 5*20	1		
8	89-2131-080002	Snap Pin 8	1		
9	89-2132-060002	Snap Pin 6 (with stopper)	1		
10	89-2181-060162	Flat Head Pin 6*16	1		
11	89-2181-060222	Flat Head Pin 6*22	2		
12	89-2511-000200	Snap Ring (S20)	1		
13	89-3512-010200	DBB Bush 10.20	1		
14	89-5121-102007	Oil Seal UE 10.20.7	3		
15	89-5121-152507	Oil Seal UE 15.25.7	2		
16	0276-00100	Axle	1		
17	0276-00410	Gear Case (G)	1		*2)
	0276-00420	Gear Case (G)	1		*3)
18	0276-01510	Clutch Bracket CMP	1		
19	0276-01610	Lock Arm Bracket (H) CMP	1		
20	0276-01710	Driving Clutch Arm	1		
21	0276-01810	Driving Change Arm	1		
22	0276-01900	Spring for Change Arm Return	1		

## MEMO

**Note 1: Transmission ASSY consists from parts 1, 3 to 8,11 to 22(this page) and 1 to 3, 5 to 14(next page).**

**\*1) Interchangeable**

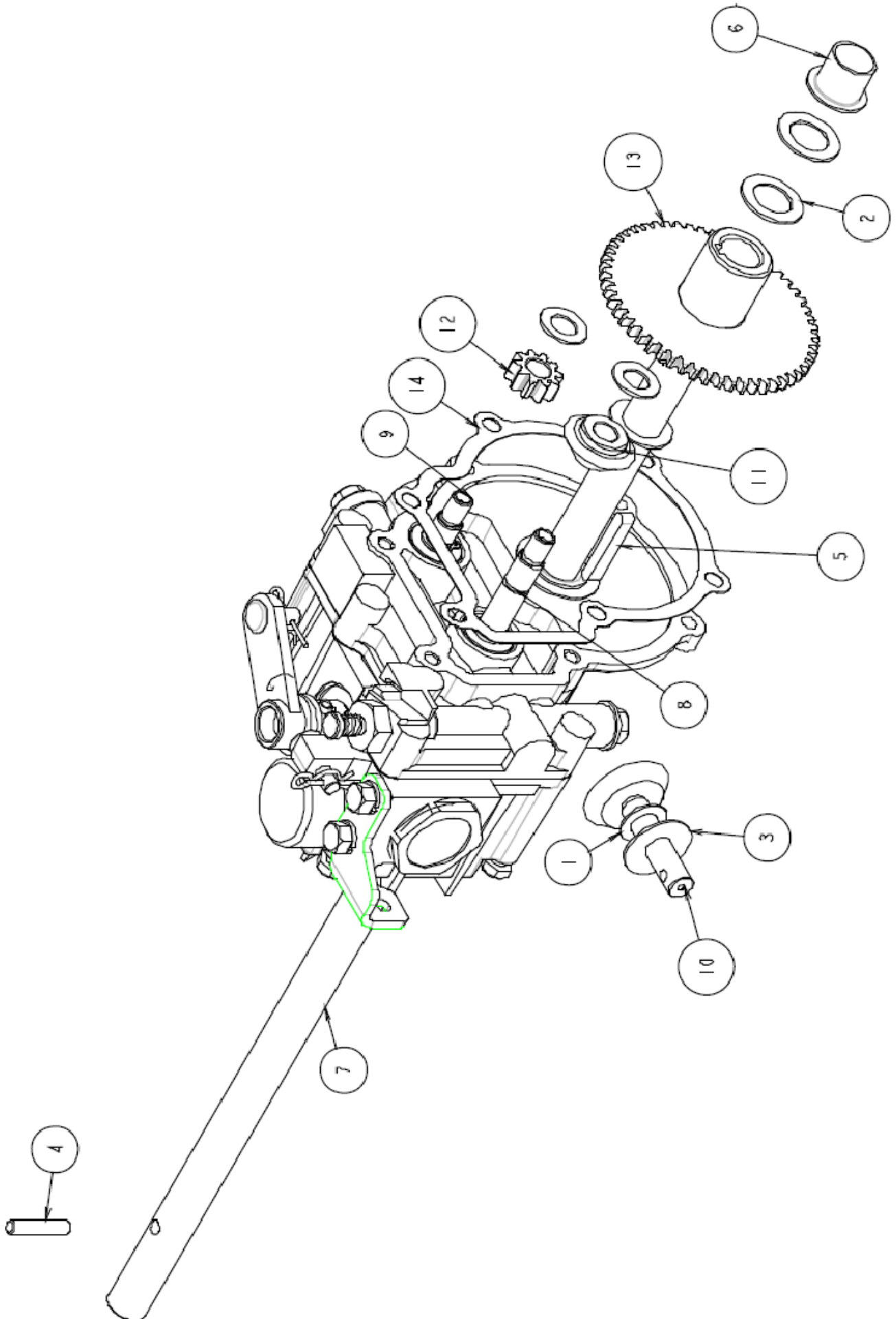
**\*2) Serial Number : GRH535PRO : ~VG07M02404**

**\*3) Serial Number : GRH535PRO : VG08G00147~**

**\*4) Serial Number : GRH535PRO : ~VG08G00266**

**\*5) Serial Number : GRH535PRO : VG08K00837~**

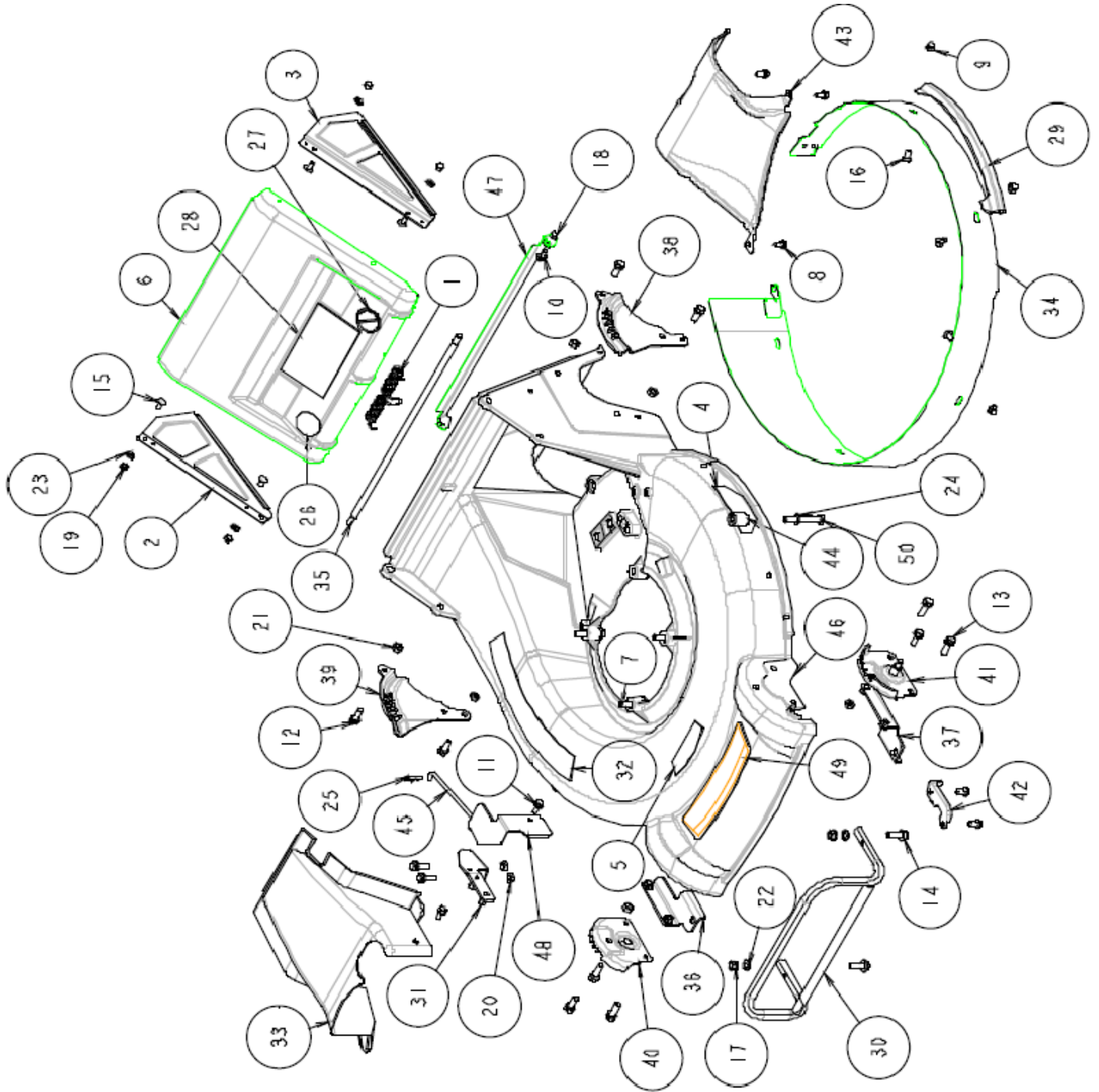
Fig.2 Gear Case



# Fig 2 Gear Case

Ref.	Parts No.	Parts Name	Quantity		Remarks
			GRH535 PRO (2Action)	GXV160	
1	83-1020-351-00	Thrust Washer 10*18*1.0	3		
2	83-1020-361-00	Thrust Washer 15*24*1.0	4		
3	83-1830-353-00	Thrust Washer 10*26*1.0	1		
4	89-2142-050250	Parallel Pin 5*25	2		
5	89-2150-050330	Key 5*33 (round)	1		
6	89-3511-015150	DU Bush 15.15.23F	2		
7	0276-00100	Axle	1		
8	0276-00600	P Shaft	1		
9	0276-00700	M Shaft	1		
10	0276-00810	Bevel Gear 25T	1		
11	0276-00900	Bevel Gear 20T	1		
12	0276-01100	Gear 10T	1		
13	0276-01200	Gear 54T CMP	1		
14	0276-70410	Packing G	1		*2)
	0276-70420	Packing G	1		*3)

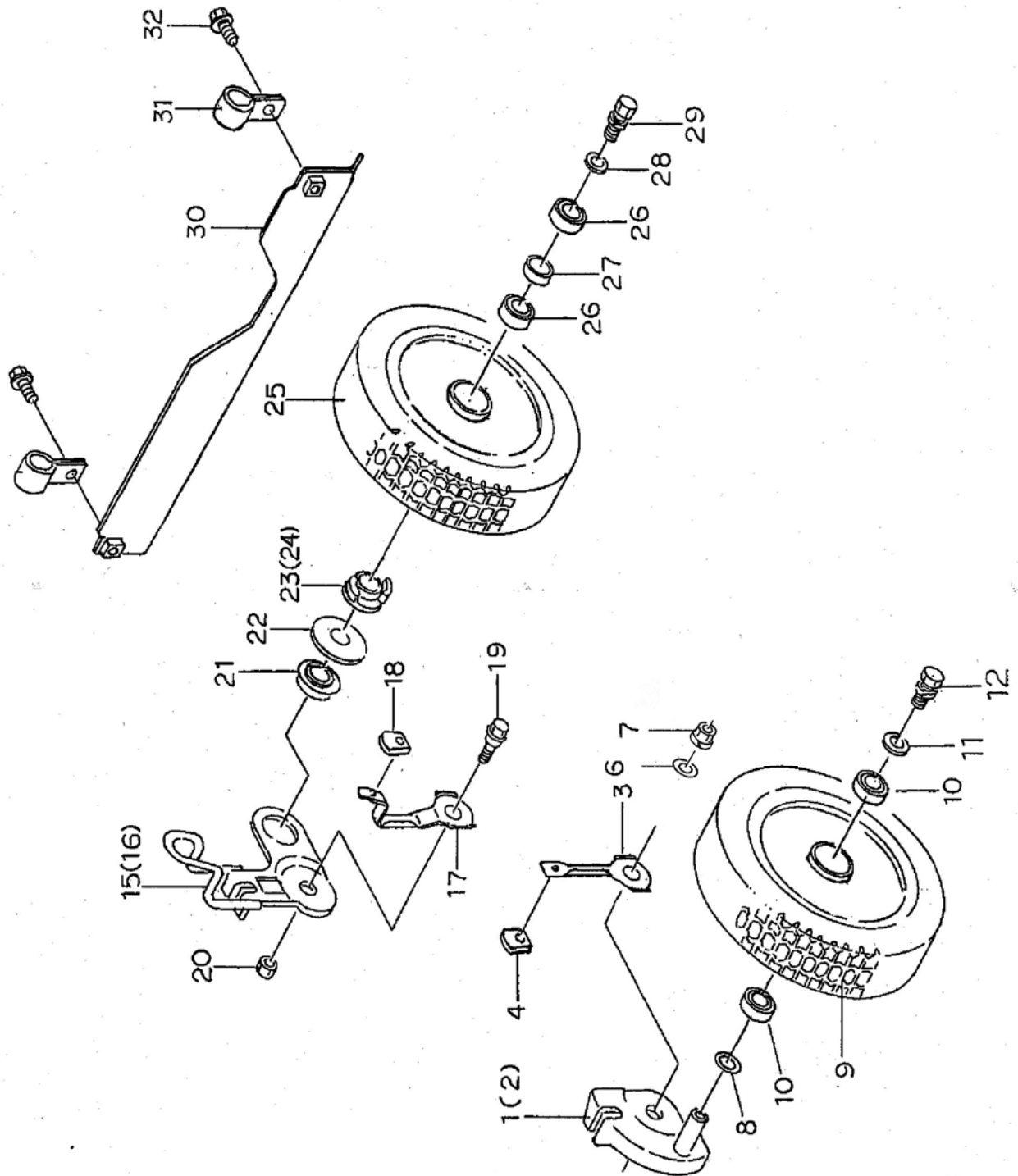
**Fig.3 Safety Cover**



# Fig 3 Safety Cover

Ref.	Parts No.	Parts Name	Quantity	Remarks
			GRH535 PRO (2Action)	
			GXV160	
1	80-1020-753-00	Rear Cover Spring	1	
2	80-1020-754-20	Side Plate (Left)	1	
3	80-1020-755-20	Side Plate (Right)	1	
4	80-1020-926-00	Danger Label	2	
5	80-1020-928-00	Notice Label (Plug)	1	
6	0278-50800	Rear Cover	1	
7	83-1020-116-00	Hexagonal Bolt 5/16-24*45UNF (H)	3	
8	83-1020-148-00	Tapping Bolt M6*14	5	
9	83-1575-189-00	Flange Cap Nut M6	5	
10	89-1132-060122	Hexagonal Bolt (SW) M6*12	2	
11	89-1139-060163	Hexagonal Bolt (PWSW) M6*16	2	
12	89-1232-080203	Mini Hexagonal Bolt (SW) M8*20	6	
13	89-1232-080252	Mini Hexagonal Bolt (SW) M8*25	6	
14	89-1253-080252	Flange Mini Hexagonal Bolt (8T) M8	2	
15	89-1390-060123	Welded Bolt M6*12	4	
16	89-1390-060142	Welded Bolt M6*14	5	
17	89-1543-080002	Mini Hexagonal Nut (SW) M8	2	
18	89-1571-060042	Cap Nut M6	2	
19	89-1571-060043	Cap Nut M6	4	
20	89-1611-080042	Mini Hexagonal Nut M8	2	
21	89-1611-080043	Mini Hexagonal Nut M8	10	
22	89-1712-080002	Flat Washer 8	2	
23	89-1750-060003	Spring Washer 6	4	
24	89-1750-080003	Spring Washer 8	4	
25	89-2131-080002	Snap Pin 8	1	
26	0215-83200	Label, Protection Equipment	1	
27	0223-72910	Attention Mark for Slope	1	
	0223-72910	Attention Mark for Slope	1	*1)
28	0223-76100	Label, Caution (Large)	1	
29	0230-20700	Side Guard	2	
30	0230-20800	Front Bumper CMP	1	
31	0276-60100	Lock Arm Bracket CMP	1	
32	0276-71800	Label, (HYDROSTATIC)	1	
33	80-1022-733-10	Gear Case Cover (H)	1	
34	0278-20600	Inside Guard CMP	1	
35	0278-20700	Rear Cover Shaft	1	
36	0278-21200	Front Bumper Setting Plate (L)	1	
37	0278-21300	Front Bumper Setting Plate (R)	1	
38	0278-30300	Rear Wheel Adjusting Plate (L) 8inch	1	
	0276-30300	Rear Wheel Adjusting Plate (L) 9inch		
39	0278-30400	Rear Wheel Adjusting Plate (R) 8inch	1	
	0276-30400	Rear Wheel Adjusting Plate (R) 9inch		
40	0278-30800	Front Wheel Adjusting Plate (R)	1	
41	0278-30700	Front Wheel Adjusting Plate (L)	1	
42	0278-50300	Blade Wire Setting	1	
43	0278-50400	Guide 535	1	
44	0278-50500	Collar for Engine Setting	1	
45	0276-50100	Lock Arm	1	
46	0278-51100	Cover Pro (Body) 535	1	
47	0278-51600	Extension Flapper	1	
48	0278-60100	Shaft Cover	1	
49	0278-70400	Label (Large)	1	
50	0278-70800	Bolt 5/16-24*63UNF (H)	1	

Fig.4 Wheel

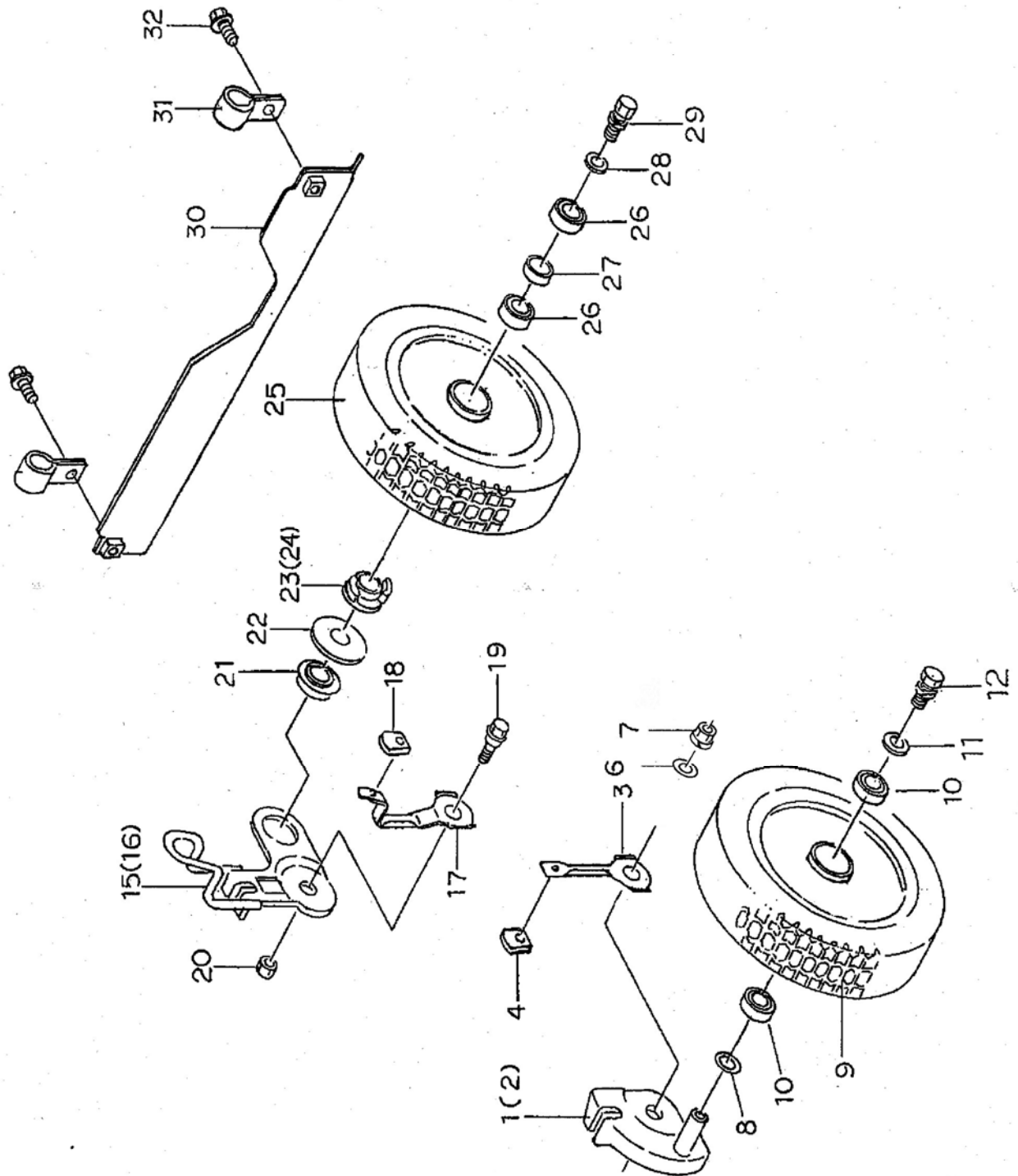




# Fig 4 Wheel

Ref.	Parts No.	Parts Name	Quantity		Remarks
			GRH535 PRO (2Action)		
			GXV160		
1	0278-30500	Front Wheel Arm (L) 8inch	1		
	0276-30500	Front Wheel Arm (L) 9 inch	1		
2	0278-30600	Front Wheel Arm (R) 8inch	1		
	0276-30600	Front Wheel Arm (R) 9 inch	1		
3	80-1022-424-00	Front Wheel Arm Stopper	2		
4	80-1020-426-10	Adjuster Grip	2		
6	89-1713-080003	Flat Washer 8 (large)	2		
7	89-1543-080003	Mini Hexagonal Nut (SW) M8	2		
8	83-1020-361-00	Thrust Washer 15*24*1.0	2		
9-10	80-1020-481-00	Steel Front Wheel Assy (OLD)	2		*4)
	0278-33700	Steel Front Wheel Assy 8 inch (NEW)	2		*5)
	0276-31700	Steel Front Wheel Assy 9 inch (NEW)	2		
9	80-1020-483-00	Steel Front Wheel CMP (OLD)	2		*4)
	0278-33100	Steel Front Wheel CMP 8 inch (NEW)			*5)
	0276-31100	Steel Front Wheel CMP 9 inch (NEW)			
9-1	80-1020-485-00	Rubber Wheel (OLD)			*4)
	0278-33500	Rubber Wheel 8 inch (NEW)			*5)
	0276-31500	Rubber Wheel 9 inch (NEW)			
9-2	80-1020-487-00	Steel Front Wheel (OLD)			*4)
	0278-33300	Steel Front Wheel 8 inch (NEW)			*5)
	0276-31300	Steel Front Wheel 9 inch (NEW)			
10	89-3115-062024	Bearing 6202 2RS	4		
11	89-1713-080003	Flat Washer 8 (large)	2		
12	89-1132-080203	Hexagonal Bolt (SW) M8*20	2		
15	0278-30100	Rear Wheel Arm (Left)	1		
16	0278-30200	Rear Wheel Arm (Right)	1		
17	80-1022-425-00	Rear Wheel Arm Stopper	2		
18	80-1020-426-10	Adjuster Grip	2		
19	80-1020-406-10	Arm Bolt	2		
20	89-1561-080003	Mini Hexagonal U Nut M8	2		
21	83-1020-987-00	Bearing ND-0.2	2		
22	80-1020-433-00	Coned Disc Spring	2		
23	80-1020-458-00	Ratchet Assembly (Left)	1		
24	80-1020-459-00	Ratchet Assembly (Right)	1		
25-27	80-1020-482-00	Steel Rear Wheel Assy (OLD)	2		*4)
	0278-33800	Steel Rear Wheel Assy 8 inch (NEW)	2		*5)
	0276-31800	Steel Rear Wheel Assy 9 inch (NEW)	2		
25	80-1020-484-00	Steel Rear Wheel CMP (OLD)	2		*4)
	0278-33200	Steel Rear Wheel CMP 8 inch (NEW)			*5)
	0276-31200	Steel Rear Wheel CMP 9 inch (NEW)			
25-1	80-1020-485-00	Rubber Wheel (OLD)			*4)
	0278-33500	Rubber Wheel 8 inch (NEW)			*5)
	0276-31500	Rubber Wheel 9 inch (NEW)			
25-2	80-1020-488-00	Steel Rear Wheel (OLD)			*4)
	0278-33400	Steel Rear Wheel 8 inch (NEW)			*5)
	0276-31400	Steel Rear Wheel 9 inch (NEW)			
26	89-3115-062024	Bearing 6202 2RS	4		
27	80-1020-486-00	Collar 25A*8L	2		
28	89-1713-080003	Flat Washer 8 (large)	2		
29	89-1132-080203	Hexagonal Bolt (SW) M8*20	2		

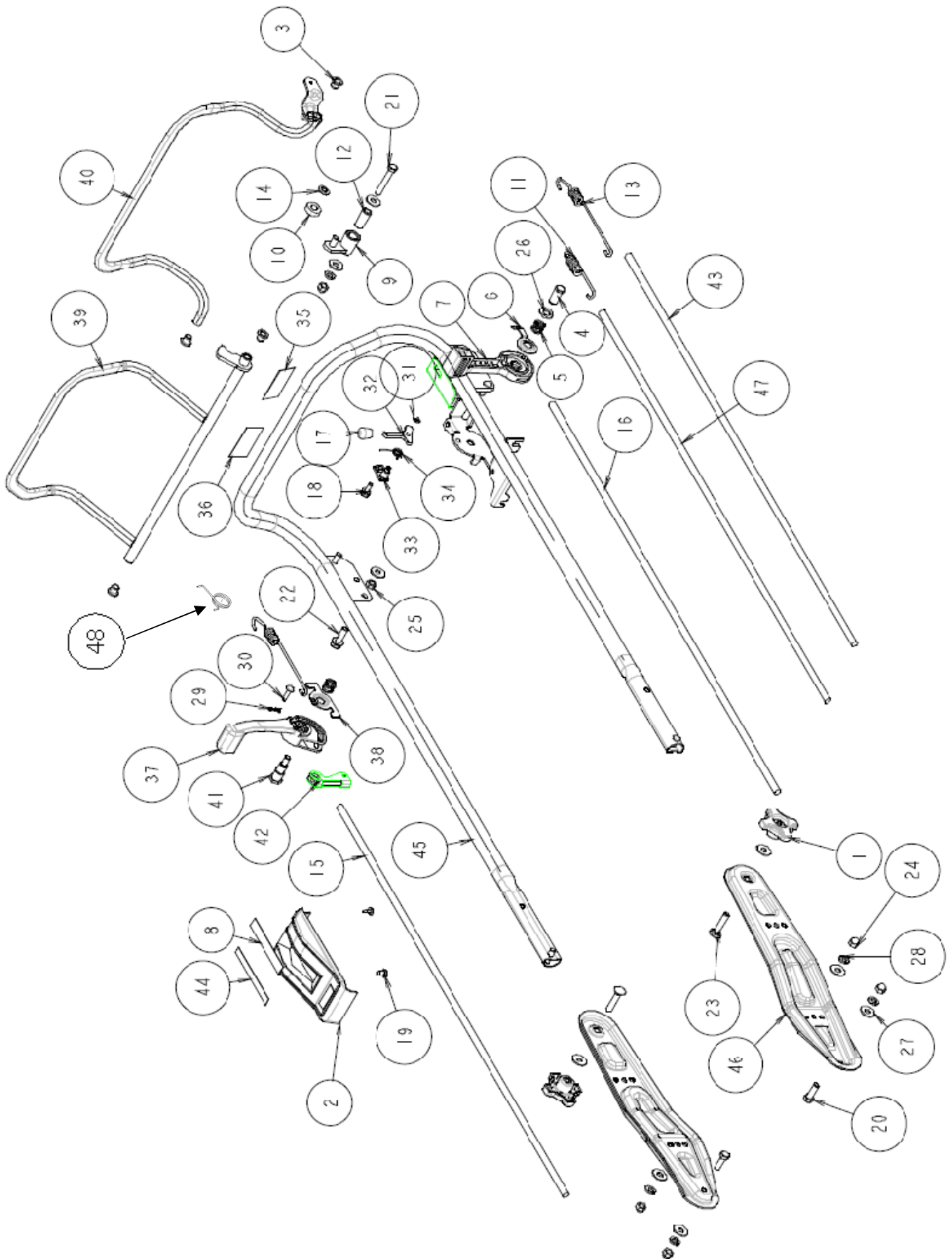
Fig.4 Wheel



# Fig 4 Wheel

Ref.	Parts No.	Parts Name	Quantity	Remarks
			GRH535 PRO (2Action)	
			GXV160	
30	0276-50600	Flapper CMP	1	
31	80-1020-793-10	Flapper Setting	2	
32	89-1133-060163	Hexagonal Bolt (PWSW) M6*16	2	

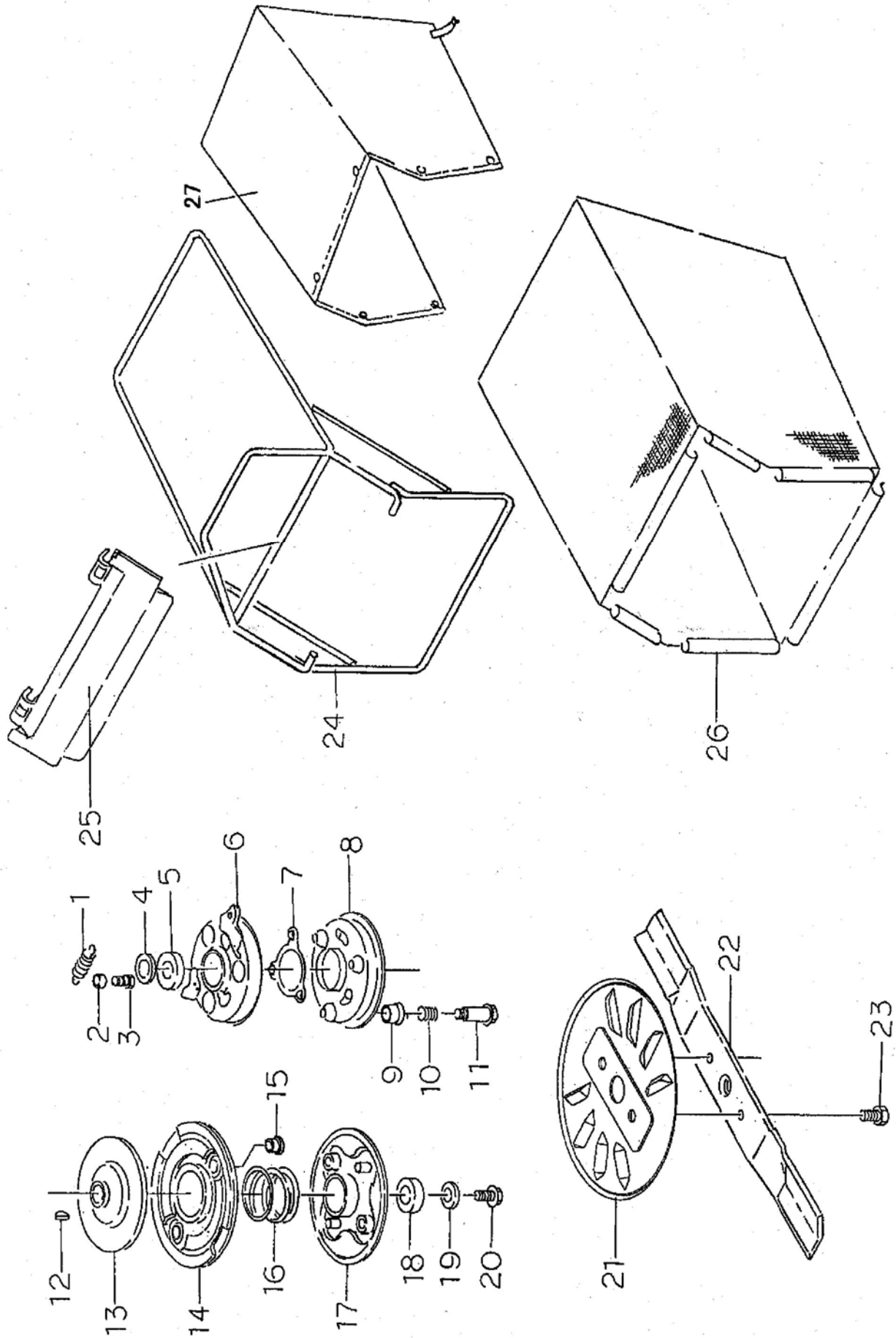
Fig.5 Handle



# Fig.5 Handle

Ref.	Parts No.	Parts Name	Quantity	Remarks
			GRH535 PRO (2Action)	
			GXV160	
1	80-1020-228-10	Knob Nut M8	2	
2	80-1020-231-00	Control Cover	1	
3	80-1020-243-00	Driving Lever, Metal	4	
4	80-1020-262-00	Control Lever Shaft	1	
5	80-1020-263-00	Control Lever Shaft Spring	2	
6	80-1020-264-00	Control Washer	1	
7	80-1020-265-00	Throttle Lever (H)	1	
8	80-1020-913-10	Throttle Label (H)	1	
9	80-1021-252-00	Blade Wire Arm	1	
10	80-1021-253-00	Roller	1	
11	80-1021-968-10	Blade Spring VB	1	
12	80-1022-254-00	Inner Pipe 13.8*30	1	
13	80-1022-966-10	Driving Clutch Spring	2	
14	83-1020-395-00	Shim Washer 8*12*0.8	1	
15	0276-71500	Driving Change Wire V	1	
16	83-1020-955-00	Throttle Wire (H)	1	
17	83-1920-425-00	Lever Grip KP204	1	
18	89-1139-060163	Hexagonal Bolt (PWSW) M6*16	1	
19	89-1161-050123	Tapping Screw 5*12	2	
20	89-1213-080252	Mini Hexagonal Bolt (8T) M8*25	2	
21	89-1213-080503	Mini Hexagonal Bolt (8T) M8*50	1	
22	89-1239-080302	Mini Hexagonal Bolt (PWSW) M8*3	1	
23	89-1412-080403	Handle Setting Bolt M8*40	2	
24	89-1571-080043	Cap Nut M8	5	
25	89-1711-080003	Flat Washer 8	1	
26	89-1711-120003	Flat Washer 12	1	
27	89-1713-080003	Flat Washer 8 (large)	9	
28	89-1750-080003	Spring Washer 8	5	
29	89-2132-060002	Snap Pin 6 (with stopper)	1	
30	89-2181-060222	Flat Head Pin 6*22	1	
31	89-2521-000050	E Type Ring 5	1	
32	0230-10400	Lock Lever	1	
33	0230-10500	Lock Lever Shaft CMP	1	
34	0230-70700	Spring for Lock Lever Return	1	
35	0230-71200	Blade Label	1	
36	0230-71300	Driving Label	1	
37	0276-10110	Change Lever	1	
38	0276-10200	Change Plate	1	
39	0276-10300	Blade Clutch Lever	1	
40	0276-10400	Driving Clutch Lever	1	
41	0276-10510	Bolt for Change Lever Setting	1	
42	0276-10600	Wire Guide	1	
	0276-10610	Wire Guide		
43	0276-70710	Driving Clutch Wire	1	
44	0276-70800	Driving Change Label	1	With Bush 08.07
45	0278-10100	Handle PRO (φ25.4)	1	
46	0278-10200	Handle Setting	2	
47	0278-71100	Blade Wire V	1	
48	0276-11700	Spring For Change Lever Return	1	

**Fig.6 Blade and Bag**

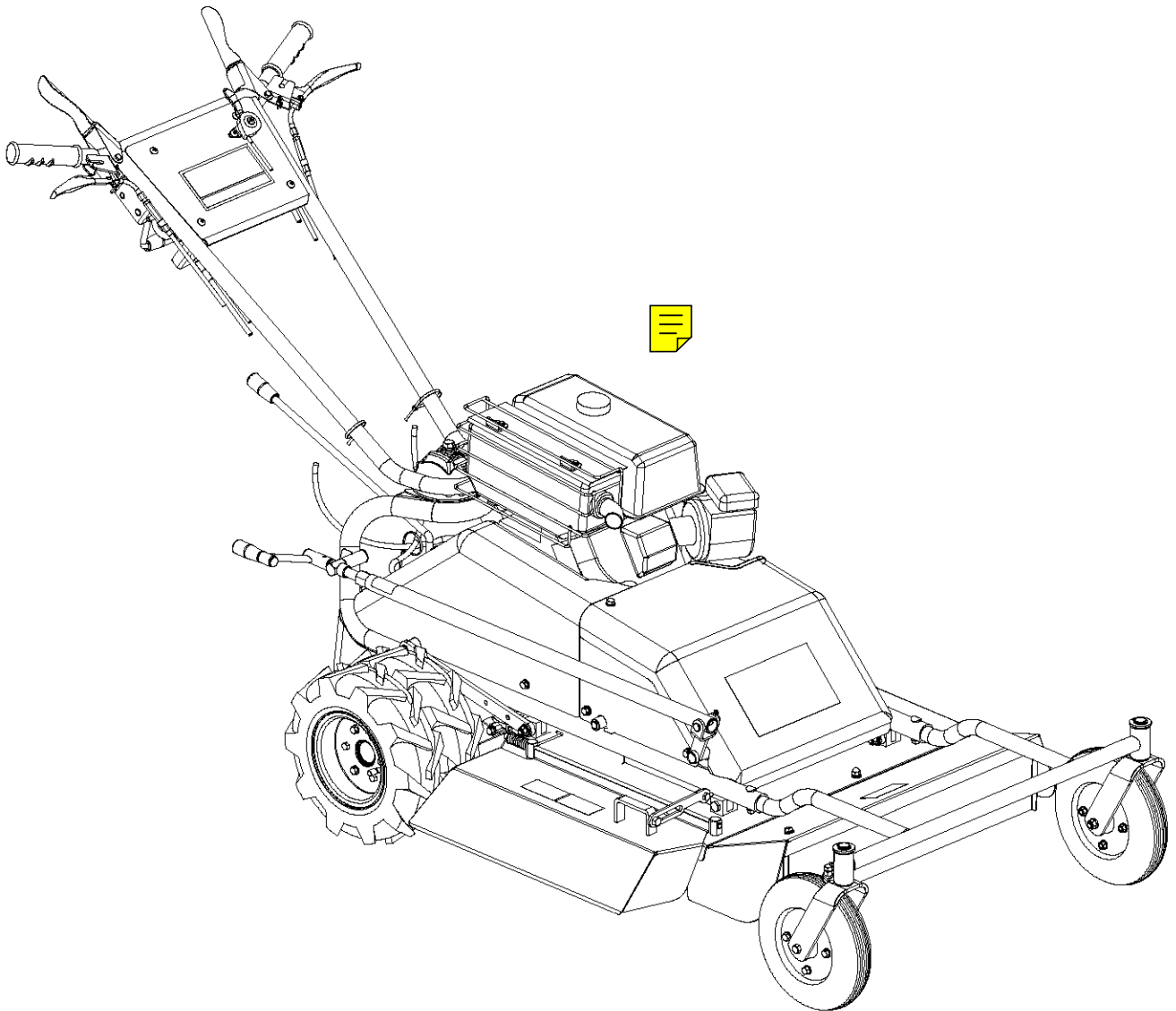


# Fig 6 Blade and Bag

Ref.	Parts No.	Parts Name	Quantity	Remarks
			GRH535 PRO (2Action)	
			GXV160	
1	80-1020-871-00	Clutch Return Spring (H)	2	
2	80-1020-872-00	Collar (H)	2	
3	83-1020-148-00	Tapping Bolt M6*14	2	
4	80-1020-874-00	Thrust Washer (H)	1	
5	80-1020-875-00	Ball Bearing (H)	1	
6	80-1020-876-00	Blade (H) Assy	1	
7	80-1020-877-00	Ball Retainer (H)	1	
8	80-1020-878-00	Blade Disc (H) Assy	1	
9	80-1020-879-00	Bush (H)	3	
10	80-1020-881-00	Spring (H)	3	
11	80-1020-882-00	Blade Setting Bolt (H)	3	
12	80-1020-892-00	Woodruff Key 4*16	1	
	<b>89-2160-040160</b>	<b>Woodruff Key 4*16*6.5</b>		<b>*1)</b>
13	80-1020-883-00	Drive Disc (H)	1	
14	80-1020-884-00	Driven Disc (H) Assy	1	
15	80-1020-885-00	Bush (H)	2	
16	80-1020-886-00	Clutch Spring (H)	1	
17	80-1020-887-00	Ball Control Plate (H) Assy	1	
18	80-1020-888-00	Ball Bearing (H)	1	
19	83-1020-323-00	Washer 10*30*4.5	1	
20	89-1254-100252	Flange Mini Hexagonal Bolt M10*25	1	
21	0222-50100	BBC Cover CMP	1	
22	80-1020-821-10	Blade 530	1	
23	89-1254-100252	Flange Mini Hexagonal Bolt M10*25	2	
24	0278-20100	Bag Flame	1	
25	80-1022-854-00	Bag Plate	1	
26	0230-70400	Bag C	1	
	80-1022-856-00	Bag C (with Hook)	1	<b>(option)</b>
	0278-71500	Bag DB (sew a dustproof cover)	1	<b>(option)</b>
27	0230-71400	Dustproof Cover	1	<b>(option)</b>

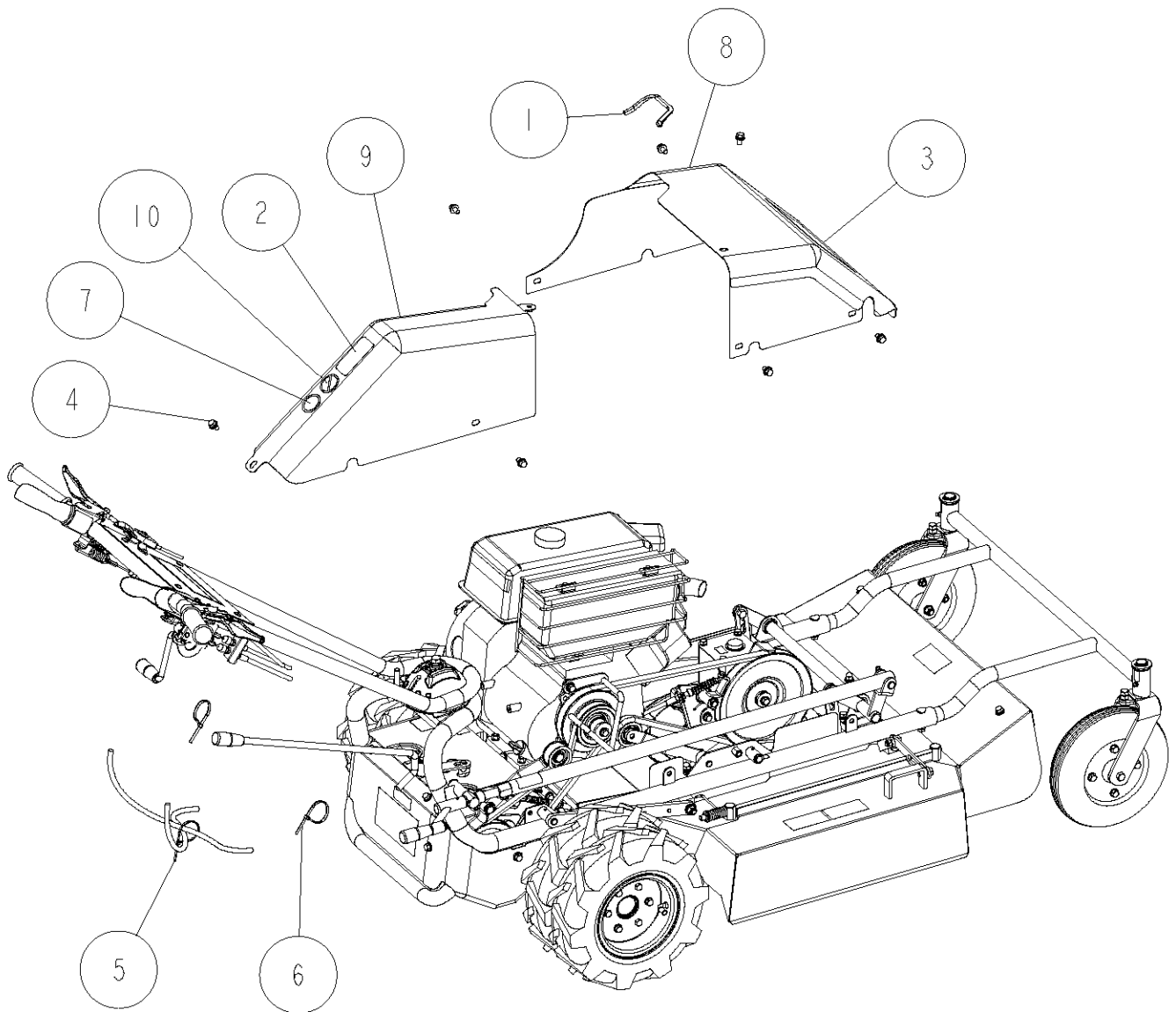
# GR703A PART CATALOG

NO. GR703A-01

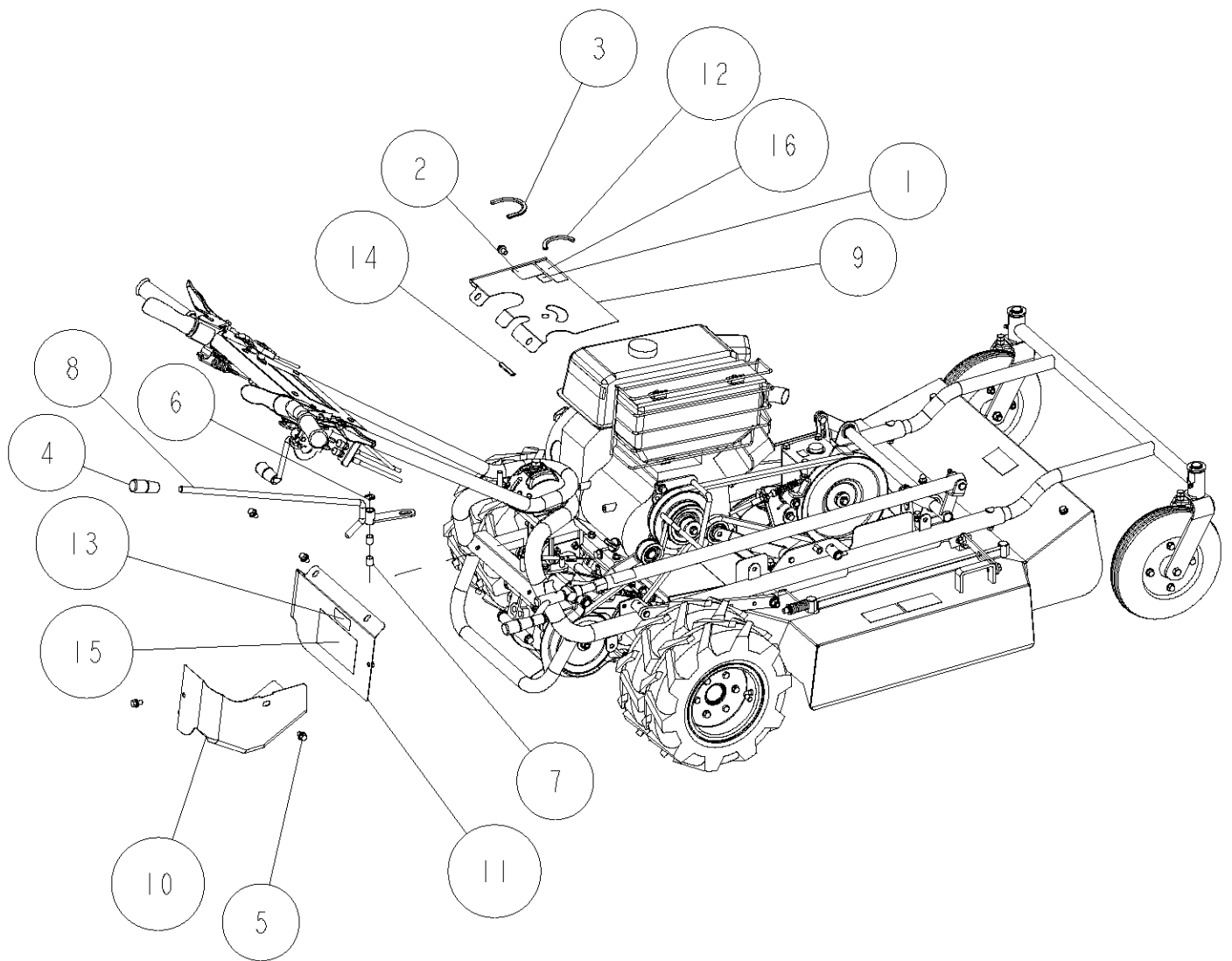


<b>Frame</b>	<b>1 - 10</b>
<b>Handle</b>	<b>11 - 15</b>
<b>Front arm</b>	<b>16</b>
<b>Cutting Parts &amp; Cover</b>	<b>17 - 21</b>
<b>Transmission</b>	<b>22 - 30</b>

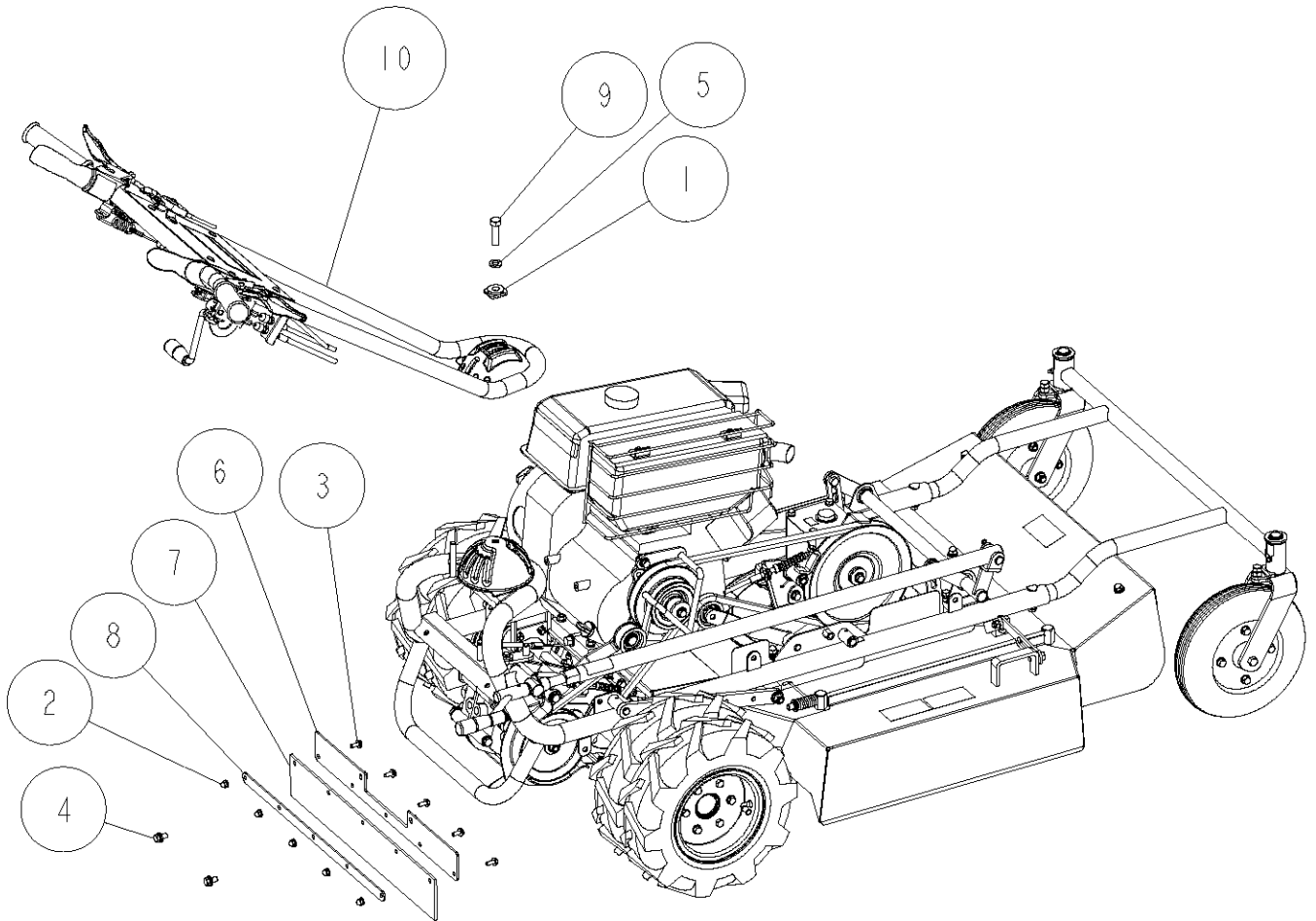




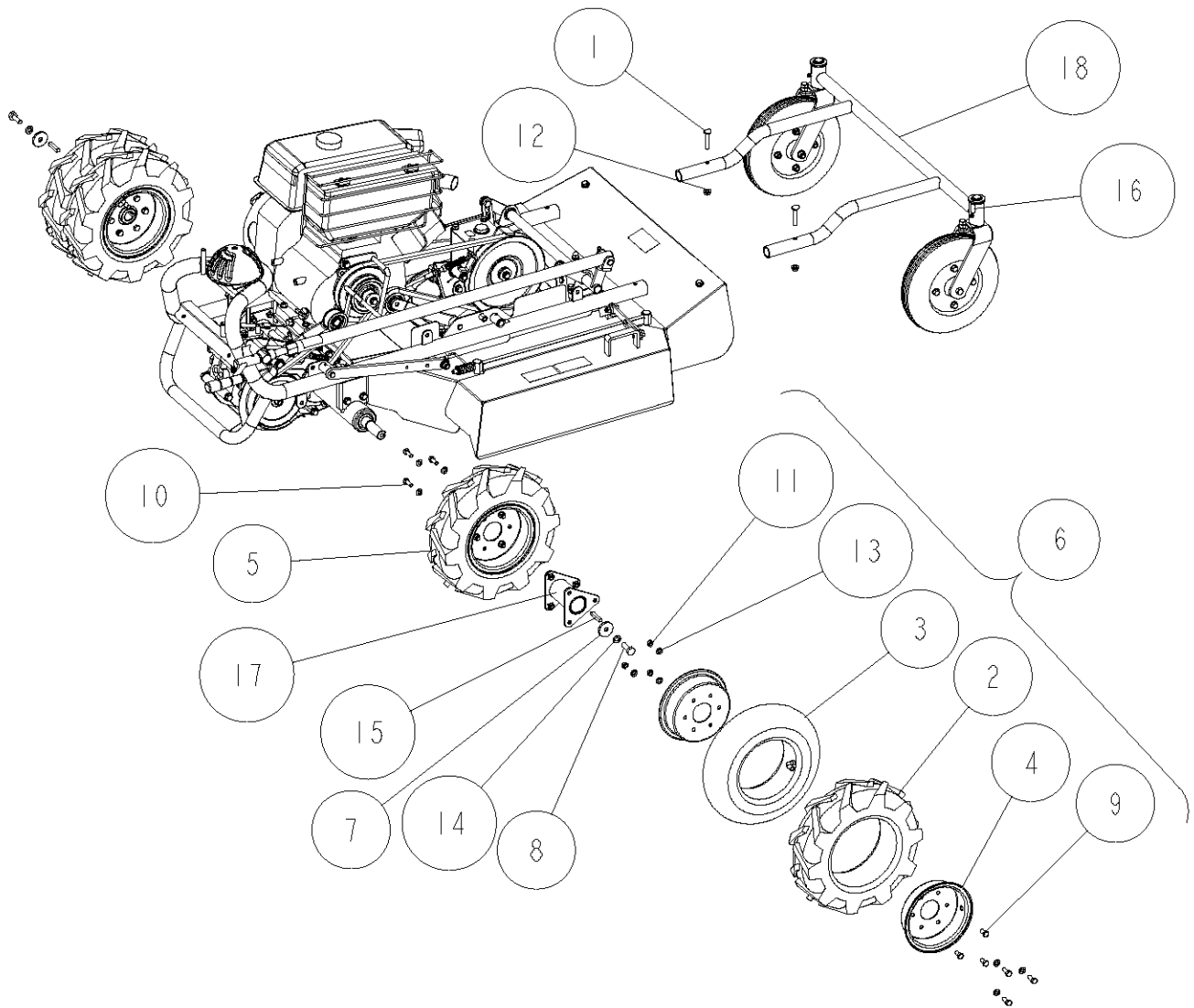
10	0223-72910	Attention Mark for Slope	1	
9	0223-60200	Side Cover CMP	1	
8	0223-60100	Front Cover CMP	1	
7	0215-83200	Label, Protection Equipment	1	
6	0208-73500	Wire Band (KV-200 Brack)	2	
5	0208-73400	Wire Band (KV-150 Brack)	1	
4	89-1233-080162	Mini Hexagonal Bolt (PWSW) M8*16	7	
3	83-1030-904-10	GTEC Mark	1	
2	80-1488-928-10	Label, Caution for Belt Involving	1	
1	80-1482-468-00	Rubber L285	1	
Ref.	Parts Number	Parts Name	Quantity	Remarks



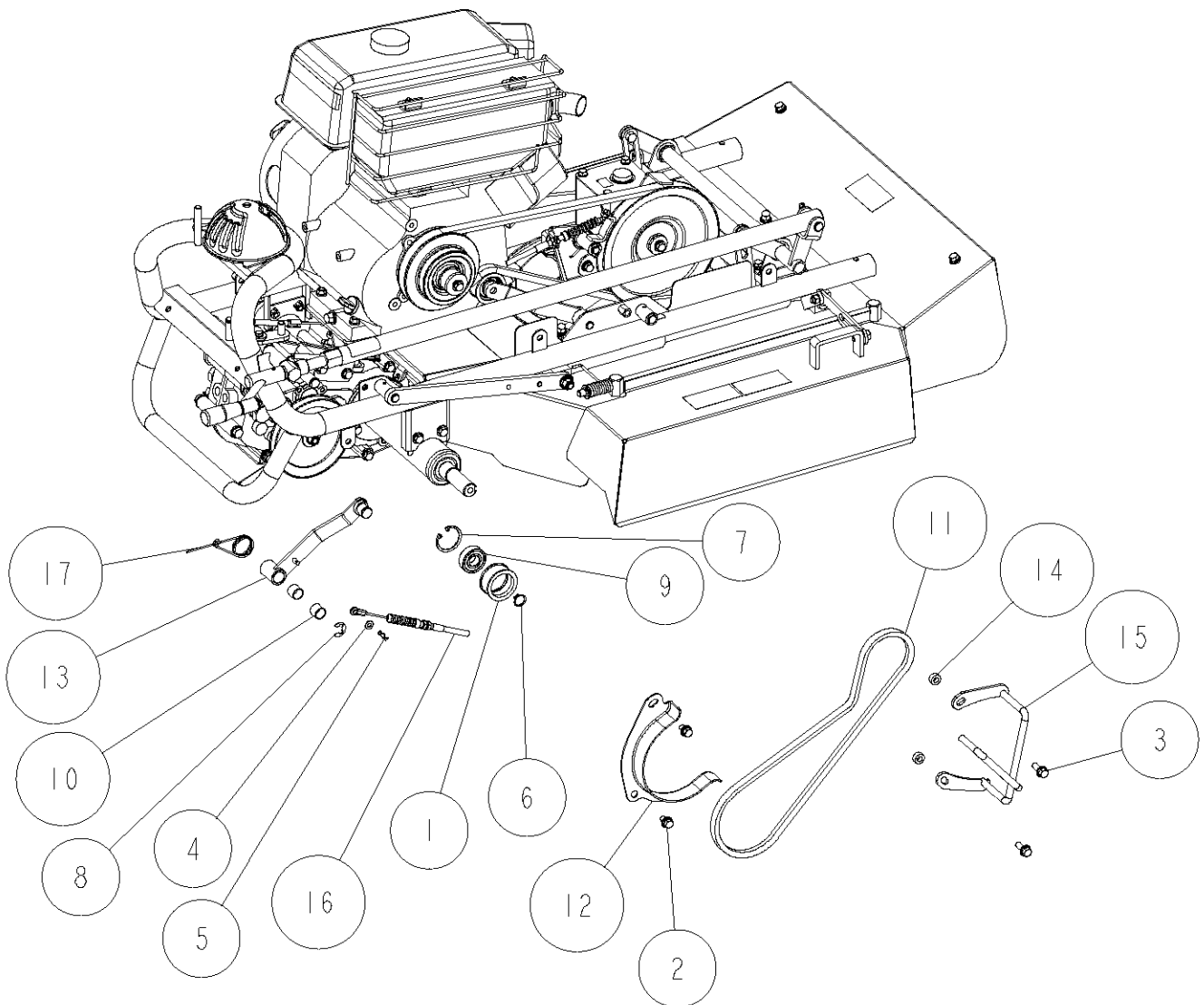
16	0223-76300	Label, Main GR703A	1	
15	0223-76100	Label, Caution (large)	1	
14	0223-72100	Rubber L55	1	
13	0223-71900	Label, Change	1	
12	0223-71500	Rubber L92	1	
11	0223-61300	Under Cover (L) CMP	1	
10	0223-61200	Under Cover (R)	1	
9	0223-60300	Transmission Cover	1	
8	0223-10700	Change Lever CMP	1	
7	89-3510-012150	DU Bush 12.15	2	
6	89-2521-000100	E Type Ring 10	1	
5	89-1233-080162	Mini Hexagonal Bolt (PWSW) M8*16	5	
4	83-1711-426-00	Lever Grip 12	1	
3	80-1035-982-10	Rubber L135	1	
2	80-1020-932-00	Label, Noise 100db	1	
1	80-1010-933-00	Label, CE	1	
Ref.	Parts Number	Parts Name	Quantity	Remarks



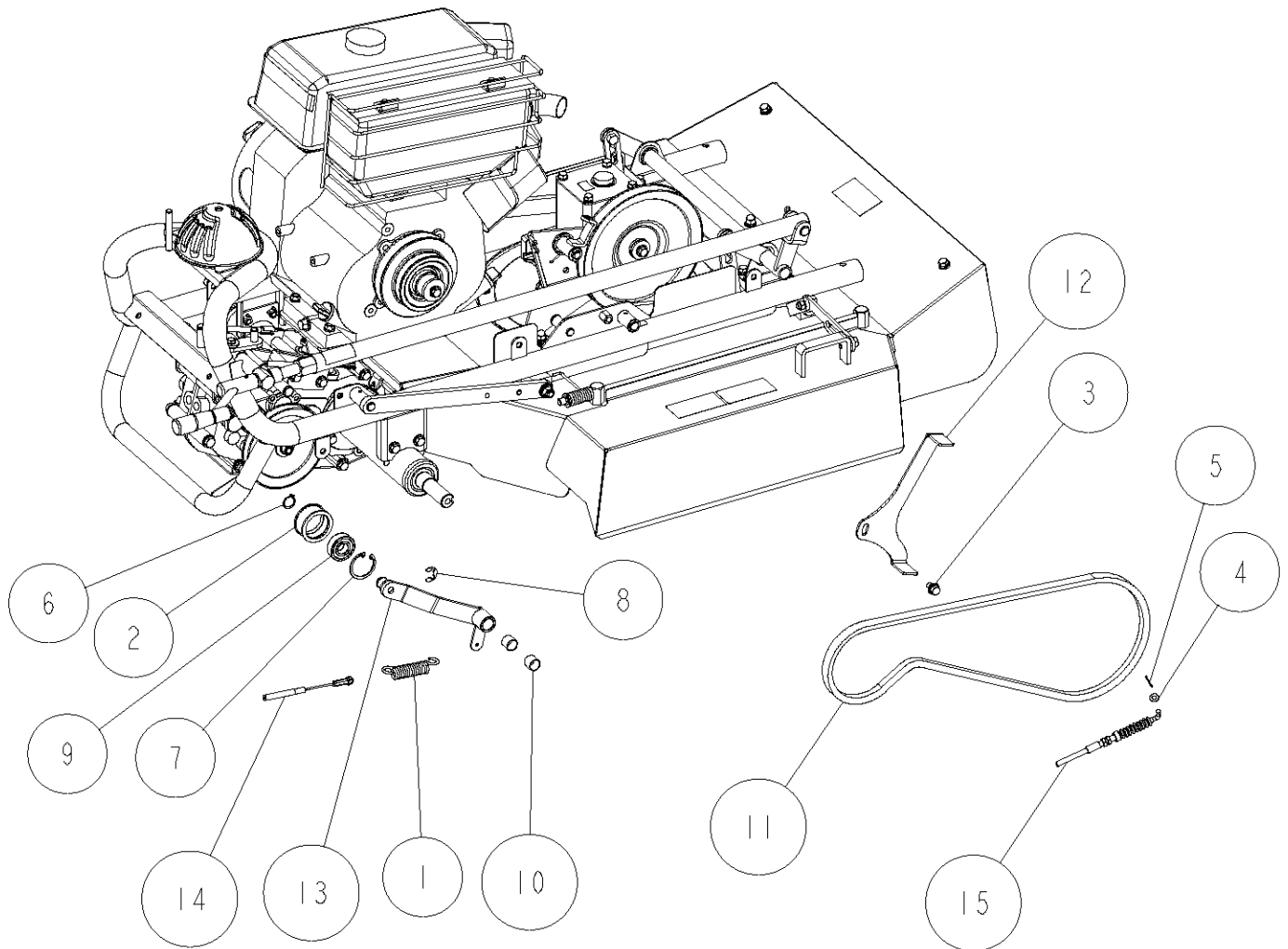
10	-	Handle Assy	1	
9	0223-74100	Handle Fixing Bolt M12*40(Slender)	1	
8	0223-23300	Foot Guard Flapper Support	1	
7	0223-23200	Foot Guard Flapper	1	
6	0223-23100	Foot Guard CMP	1	
5	89-1750-120002	Spring Washer 12	1	
4	89-1233-080162	Mini Hexagonal Bolt (PWSW) M8*16	2	
3	89-1137-060152	Hexagonal Bolt (PW) M6*15	5	
2	83-1575-189-00	Flange Cap Nut M6	5	
1	0013-10300	Handle Fixing Washer	1	
Ref.	Parts Number	Parts Name	Quantity	Remarks



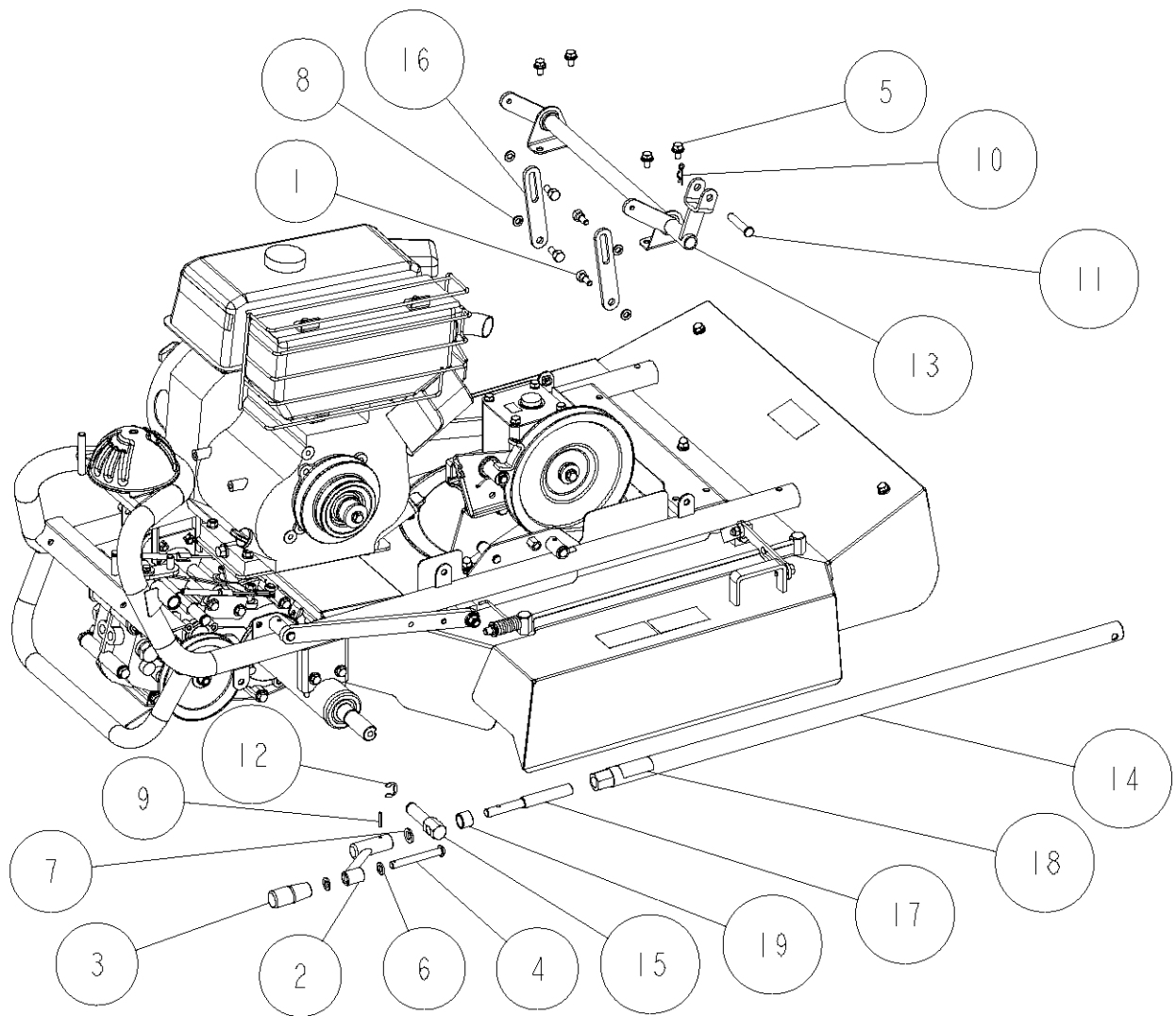
18	-	Front Arm Assy	1	
17	0223-30500	Wheel Boss	2	
16	0215-81500	Label, Grease	2	
15	89-2151-070400	Key 7*40(harf round)	2	
14	89-1750-100002	Spring Washer 10	2	
13	89-1750-080002	Spring Washer 8	18	
12	89-1631-080043	Flange Mini Hexagonal Nut M8	2	
11	89-1611-080042	Mini Hexagonal Nut M8	12	
10	89-1211-080202	Mini Hexagonal Bolt M8*20	12	
9	89-1211-080162	Mini Hexagonal Bolt M8*16	12	
8	89-1113-100302	Hexagonal Bolt (8T) M10*30	2	
7	83-1610-321-00	Washer 10*36*4.5	2	
6	80-1210-412-00	Tire Assy (Right) 350-6	2	
5	80-1210-411-00	Tire Assy (Left) 350-6	2	
4	80-1210-407-00	Wheel Assy 3.50-6	4	
3	80-1210-404-00	Tube 3.50-6	4	
2	80-1210-401-00	Tire 3.50-6	4	
1	80-1021-227-00	Handle Fixing Bolt M8*45	2	
Ref.	Parts Number	Parts Name	Quantity	Remarks



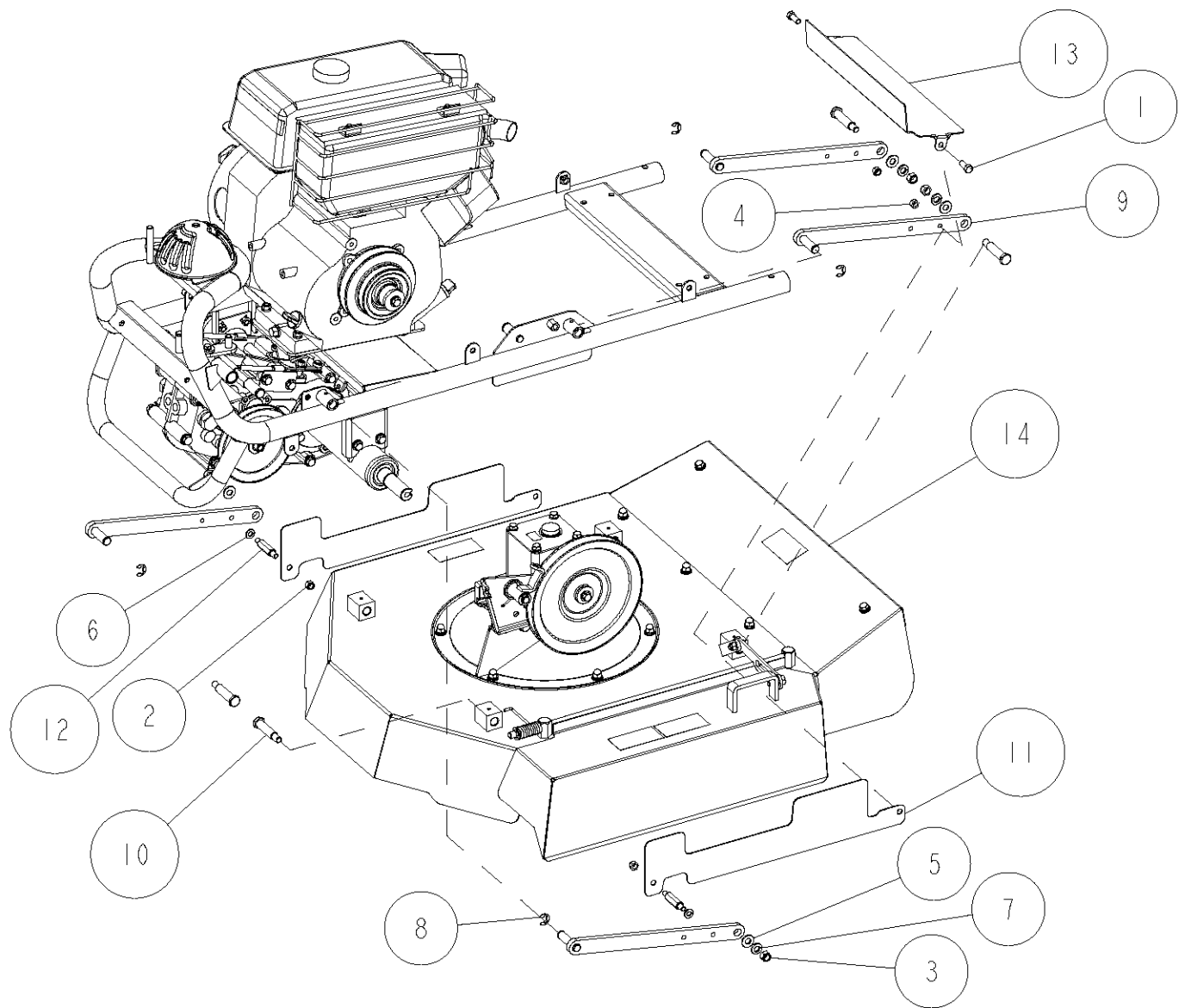
17	0223-70800	Tension Return Spring	1	
16	0223-70200	Driving Clutch Wire	1	
15	0223-42200	Belt Holder (B)	1	
14	0223-41110	Belt Holder Collar	2	
13	0223-40800	Tension arm (Driving)	1	
12	0223-40600	Belt Holder, Transmission	1	
11	89-6122-003800	V Belt LA-38	1	
10	89-3510-016150	DU Bush 16.15	2	
9	89-3115-062034	Bearing 6203 2RS	1	
8	89-2521-000120	E Type Ring 12	1	
7	89-2512-000400	Snap Ring (R40)	1	
6	89-2511-000170	Snap Ring (S17)	1	
5	89-2132-060002	Snap Pin 6	1	
4	89-1711-060002	Flat Washer 6	1	
3	89-1233-080252	Mini Hexagonal Bolt (PWSW) M8*25	2	
2	89-1233-080162	Mini Hexagonal Bolt (PWSW) M8*16	2	
1	83-1032-765-00	Tension Pulley	1	
Ref.	Parts Number	Parts Name	Quantity	Remarks



15	0223-70500	Blade brake wire	1	
14	0223-70400	Cutting Clutch Wire	1	
13	0223-40900	Tension arm (Knife)	1	
12	0223-40700	Belt Support, Knife	1	
11	<b>89-6123-005003</b>	<b>V Belt LB-50(SG1000)</b>	1	
10	89-3510-016150	DU Bush 16.15	2	
9	89-3115-062034	Bearing 6203 2RS	1	
8	89-2521-000120	E Type Ring 12	1	
7	89-2512-000400	Snap Ring (R40)	1	
6	89-2511-000170	Snap Ring (S17)	1	
5	89-2120-200152	Split Pin 2*15	1	
4	89-1711-060002	Flat Washer 6	1	
3	89-1233-080162	Mini Hexagonal Bolt (PWSW) M8*16	1	
2	83-1032-765-00	Tension Pulley	1	
1	80-1030-558-00	Kinfe Tension Return Spring	1	
Ref.	Parts Number	Parts Name	Quantity	Remarks

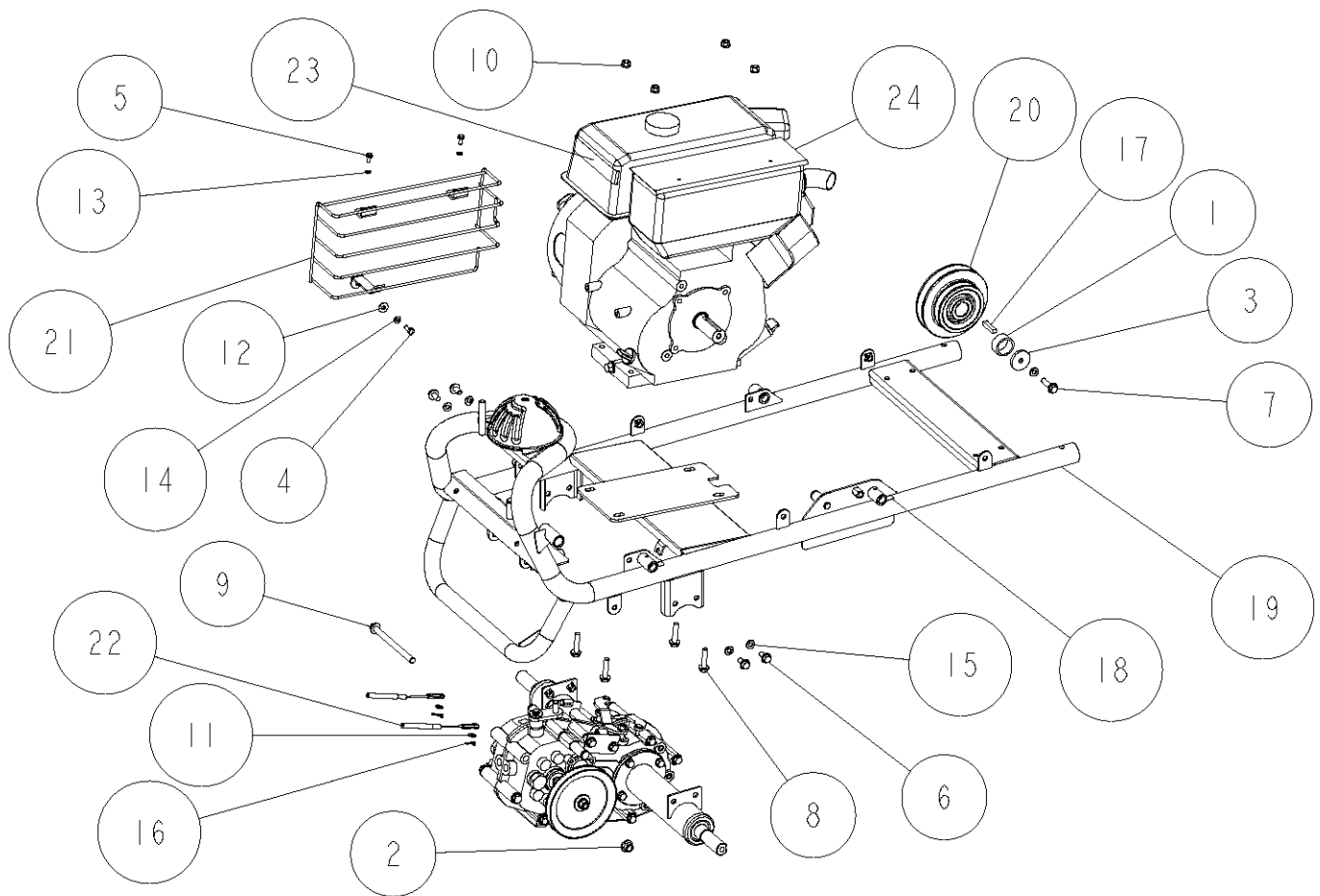


19	0231-74300	Cutting Height Adjustment Collar	1	
18	0223-71800	Label, Cutting Height Adjustment	1	
17	0223-52100	Cutting Height Adjustment Screw	1	
16	0223-50900	Connecting Plate	2	
15	0223-50600	Cutting Height Adjustment Shaft	1	
14	0223-50500	Cutting Height Adjusting Bolt Receiver Pipe	1	
13	0223-50400	Cutting Up/Down Adjusting Shaft CMP	1	
12	89-2521-000120	E Type Ring 12	1	
11	89-2181-100502	Flat Head Pin 10*50	1	
10	89-2131-100002	Snap Pin 10	1	
9	89-2111-050022	Spring Pin 5*22	1	
8	89-1750-080002	Spring Washer 8	4	
7	89-1711-120002	Flat Washer 12	1	
6	89-1711-100002	Flat Washer 10	2	
5	89-1233-080162	Mini Hexagonal Bolt (PWSW) M8*16	4	
4	83-1713-166-00	Pin Round-Head 10*80	1	
3	83-1210-425-00	Lever Grip 10	1	
2	84-1723-739-00	Cutting Height Adjusting Handle	1	
1	80-1488-747-00	Bolt for Right Cover Up/Down Arm	4	
Ref.	Parts Number	Parts Name	Quantity	Remarks

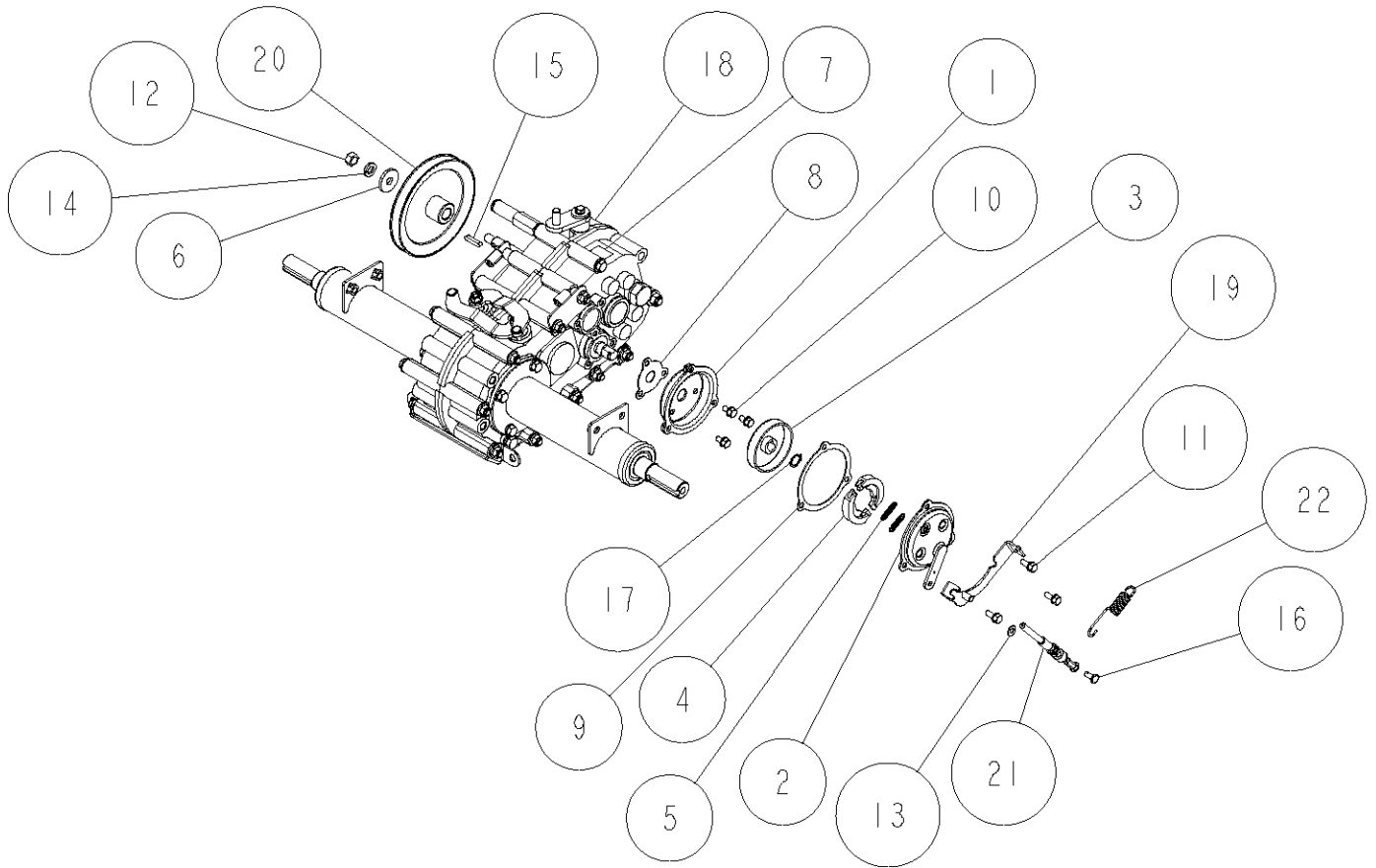


14	-	<b>Cutting Cover Assy</b>	1	
13	0223-61100	Knife Pulley Guard (B)	1	
12	0223-60900	Setting Bolt	2	
11	0223-60800	Knife Pulley Guard (A)	2	
10	0223-50800	Link Bolt	4	
9	0223-50700	Link Arm CMP	4	
8	89-2521-000100	E Type Ring 10	4	
7	89-1750-100002	Spring Washer 10	4	
6	89-1750-080002	Spring Washer 8	2	
5	89-1714-100002	Flat Washer 10	4	
4	89-1611-080042	Mini Hexagonal Nut M8	2	
3	89-1561-100002	Mini Hexagonal U Nut M10	4	
2	89-1561-080002	Mini Hexagonal U Nut M8	2	
1	89-1213-080202	Mini Hexagonal Bolt (8T) M8*20	2	
Ref.	Parts Number	Parts Name	Quantity	Remarks

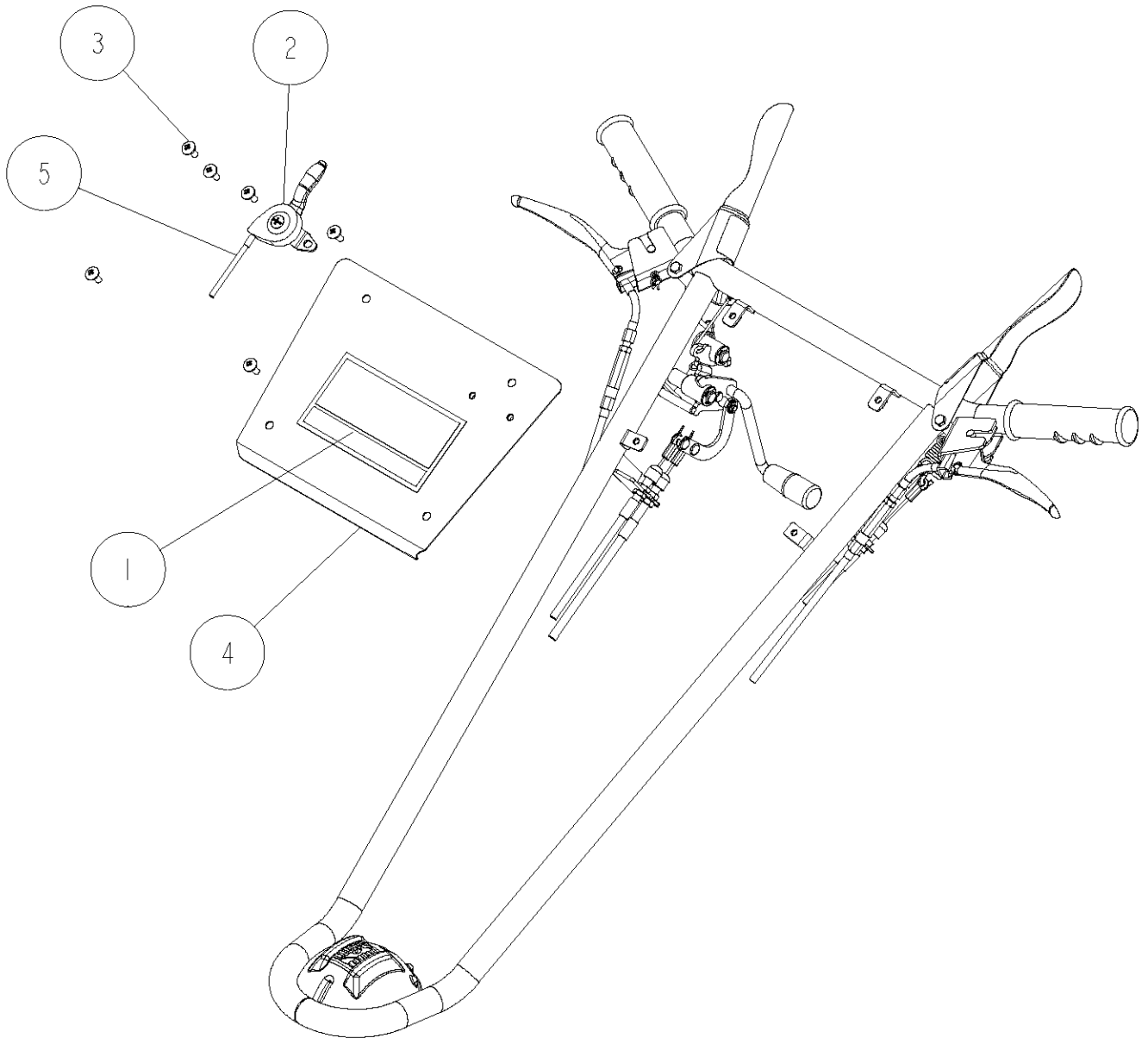




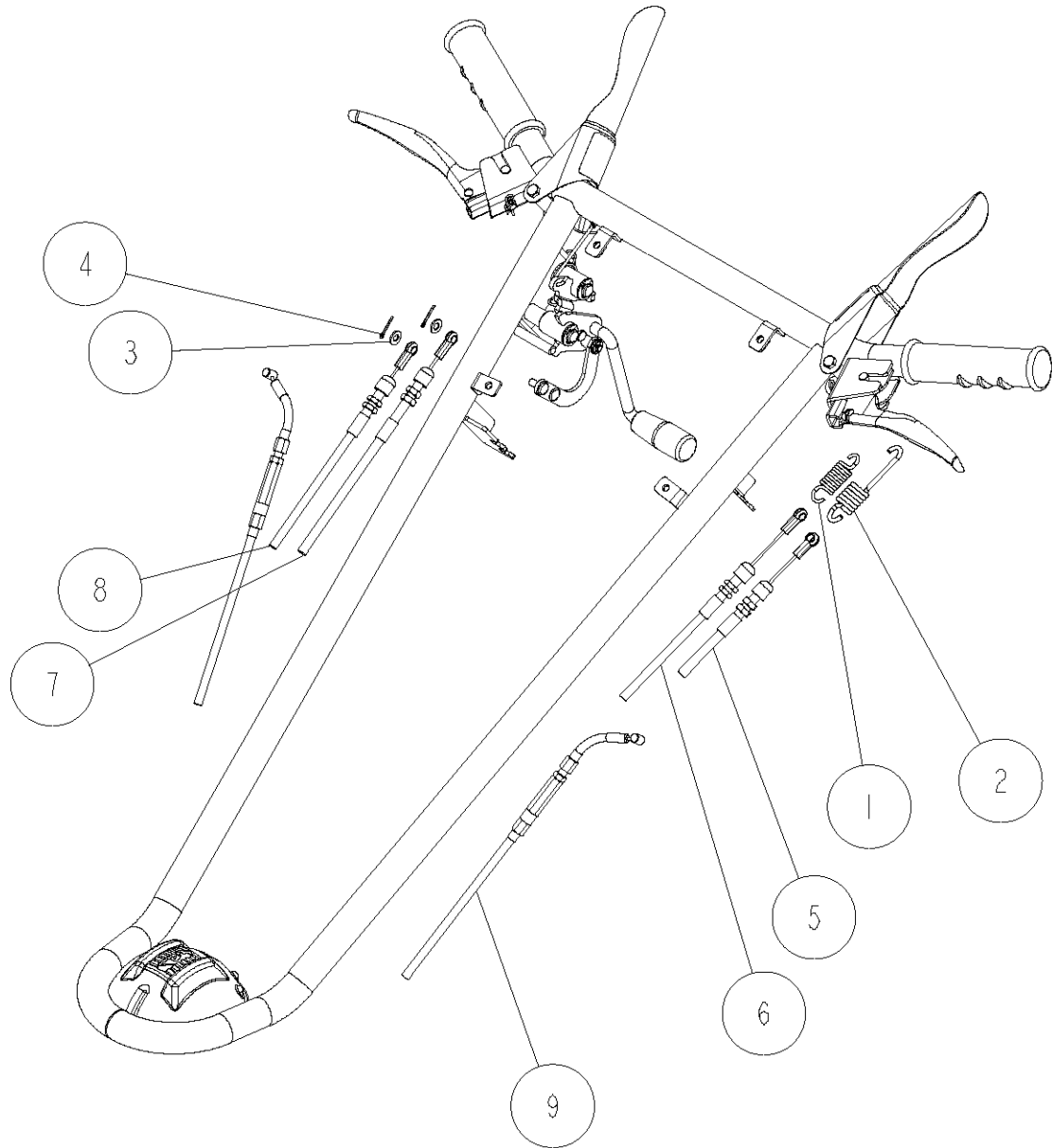
24	9003-0010	KAWASAKI ENGINE FE290D	1	
23	0223-76200	Label, Caution for Engine etc	1	
22	0223-70700	Wire, Side Clutch	2	
21	0223-60700	Muffler Guard CMP	1	
20	0223-42100	Engine Pulley(GR703A)	1	
19	0223-20110	Frame CMP	1	
18	0215-81900	Label, Oiling	4	
17	89-2151-070350	Key 7*35(harf round)	1	
16	89-2132-060002	Snap Pin 6	2	
15	89-1750-080002	Spring Washer 8	5	
14	89-1750-060002	Spring Washer 6	1	
13	89-1750-050003	Spring Washer 5	2	
12	89-1713-060002	Flat Washer(Large) 6	1	
11	89-1711-060002	Flat Washer 6	2	
10	89-1543-080002	Mini Hexagonal Nut (SW) M8	4	
9	89-1254-101253	Flange Hexagonal Bolt M10*1.25*125	1	
8	89-1253-080352	Mini Flange Bolt(8T) M8*35	4	
7	89-1253-080302	Mini Flange Bolt(8T) M8*30	1	
6	89-1253-080162	Mini Flange Bolt(8T) M8*16	4	
5	89-1251-050123	Flange Hexagonal Bolt M5*12	2	
4	89-1113-060162	Hexagonal Bolt (8T) M6*16	1	
3	83-1565-315-00	Washer 8*36*4.5	1	
2	83-1493-2550-00	Washer Based Rock Nut(slender)M10	1	
1	80-1751-516-00	Collar 15L (M)	1	
Ref.	Parts Number	Parts Name	Quantity	Remarks



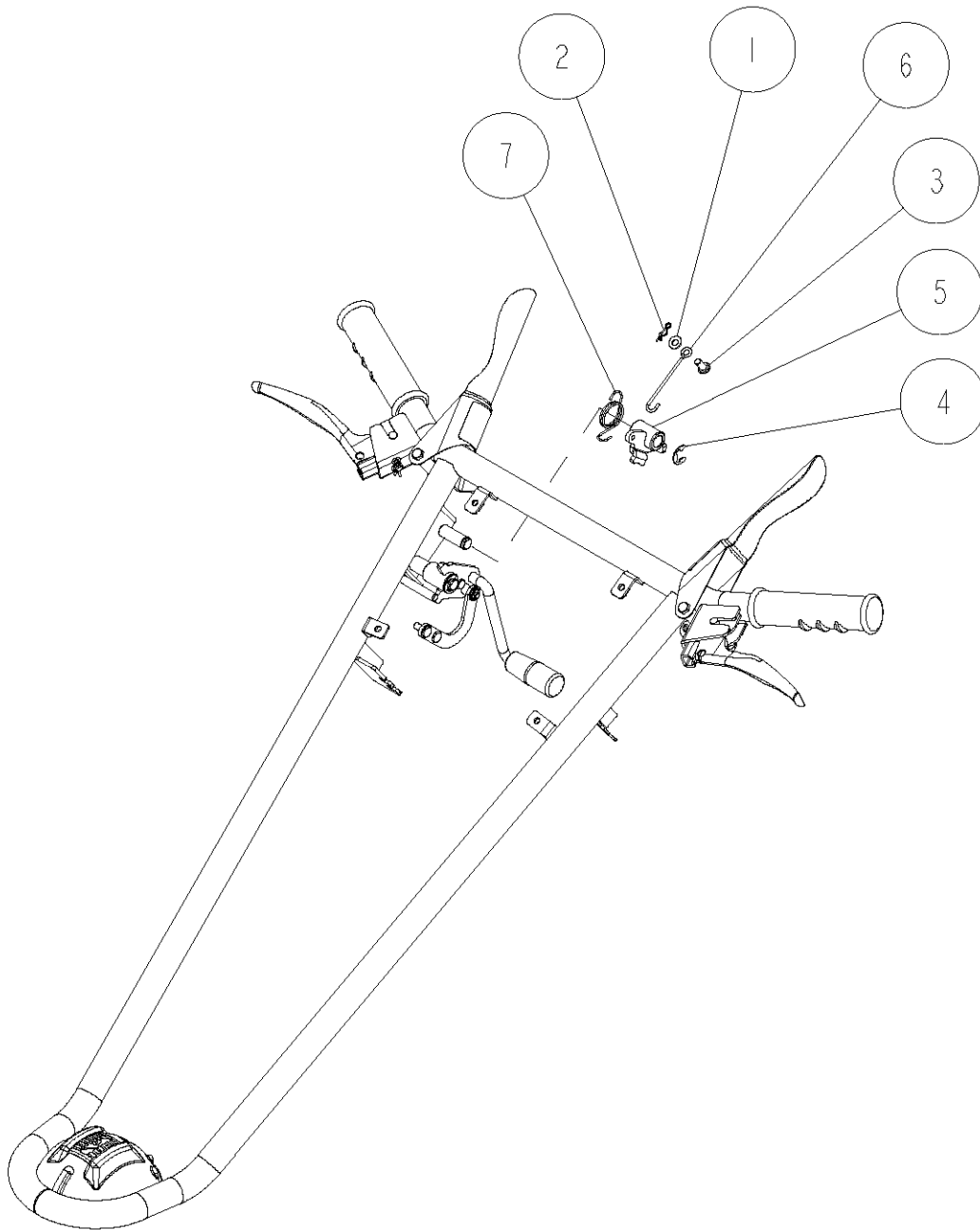
22	0223-72200	Brake Pulling Spring	1	
21	0223-70300	Brake wire	1	
20	0223-40200	Transmission Pulley	1	
19	0223-20300	Brake Bracket CMP	1	
18	0223-01000	Transmission Case ASSY	1	
17	89-2511-000140	Snap Ring (S14)	1	
16	89-2181-060142	Flat Head Pin 6*14	1	
15	89-2150-050250	Key 5*25(round)	1	
14	89-1750-100002	Spring Washer 10	1	
13	89-1711-060002	Flat Washer 6	1	
12	89-1611-100042	Mini Hexagonal Nut M10	1	
11	89-1138-060162	Hexagonal Bolt (SW) M6*16	3	
10	89-1138-060122	Hexagonal Bolt (SW) M6*12	3	
9	85-1445-318-00	Brake Packing(large)	1	
8	85-1445-317-00	Brake Packing(small)	1	
7	83-1712-923-00	Label, Oil Quantity 1.6	1	
6	83-1035-323-00	Washer 10*30*3.2	1	
5	85-1711-317-00	Shoe Return Spring	2	
4	85-1711-316-00	Brake Shoe	1	
3	85-1711-315-00	Brake Drum	1	
2	80-1614-314-00	Brake Cover	1	
1	80-1614-312-00	Brake Cover CMP	1	
Ref.	Parts Number	Parts Name	Quantity	Remarks



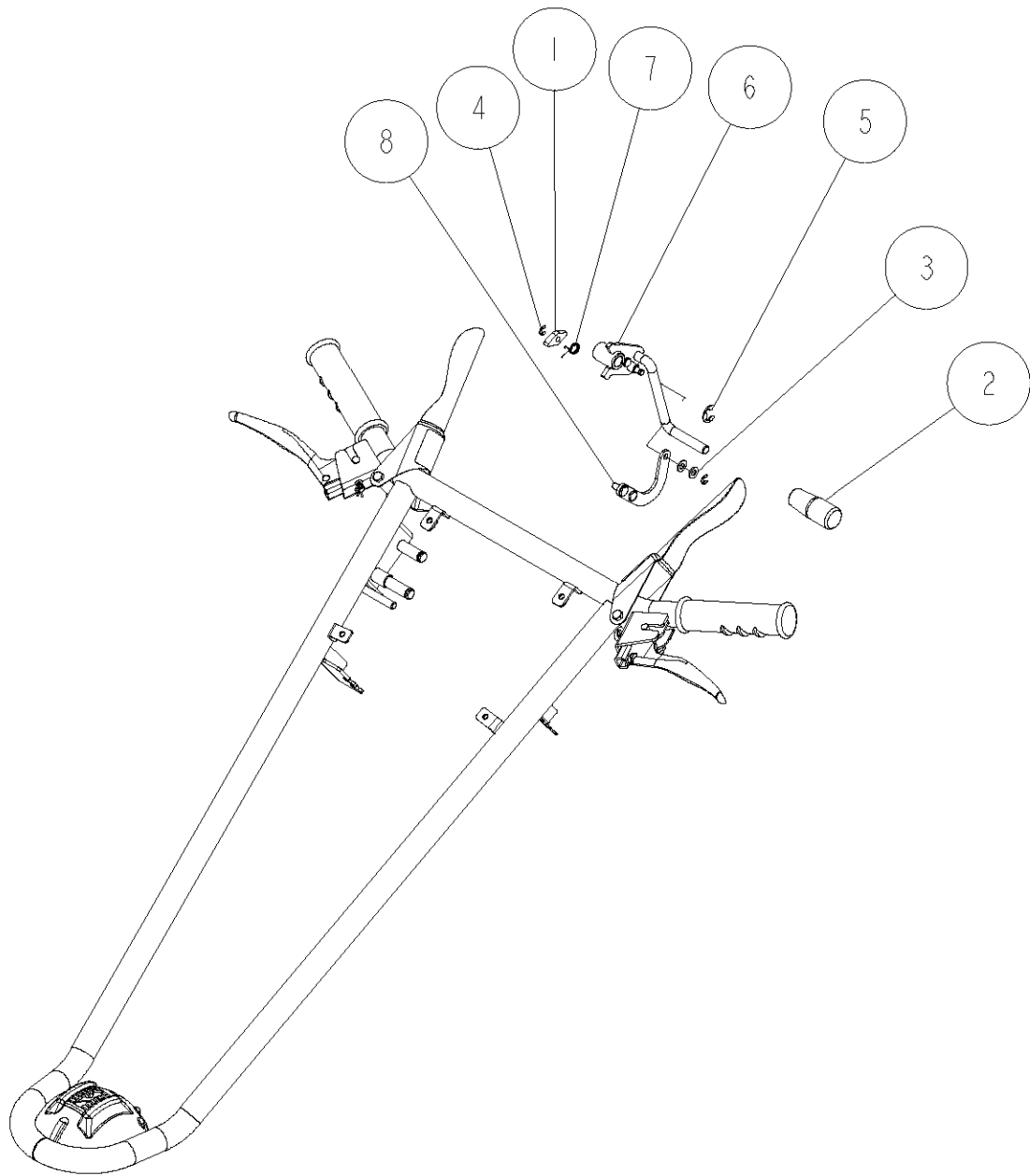
5	0223-70600	Throttle Wire	1	
4	0223-60500	Handle Bonnet CMP	1	
3	89-1159-060168	Truss Mini Screw M6*16	6	
2	80-1791-953-00	Throttle lever	1	
1	80-1020-902-00	Label (Large)	1	
Ref.	Parts Number	Parts Name	Quantity	Remarks



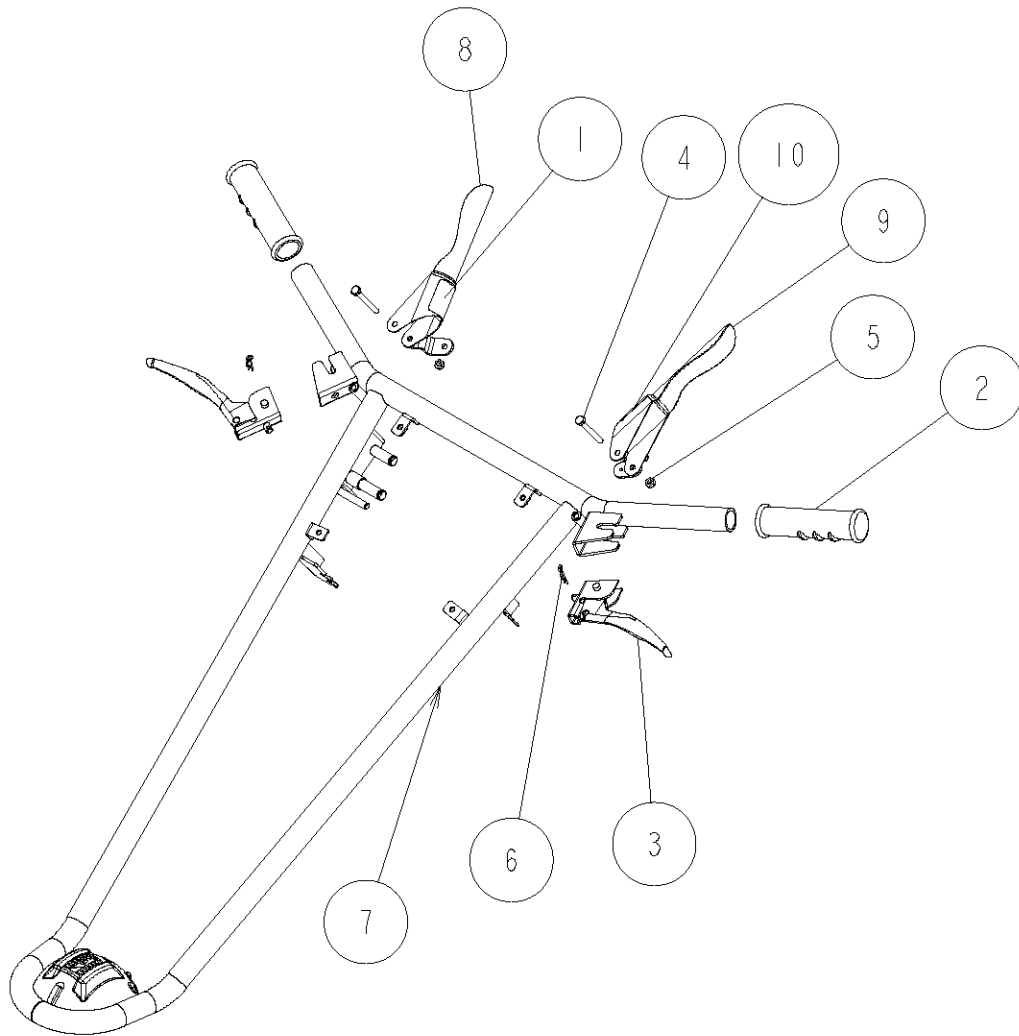
9	0223-70700	Wire, Side Clutch	2	
8	0223-70500	Wire, Blade brake	1	
7	0223-70400	Wire, Cutting Clutch	1	
6	0223-70300	Wire, Brake	1	
5	0223-70200	Driving Clutch Wire	1	
4	89-2120-200152	Split Pin 2*15	2	
3	89-1711-060002	Flat Washer 6	2	
2	80-1515-966-00	Clutch Spring	1	
1	80-1425-551-00	Differential Lock Spring	1	
Ref.	Parts Number	Parts Name	Quantity	Remarks



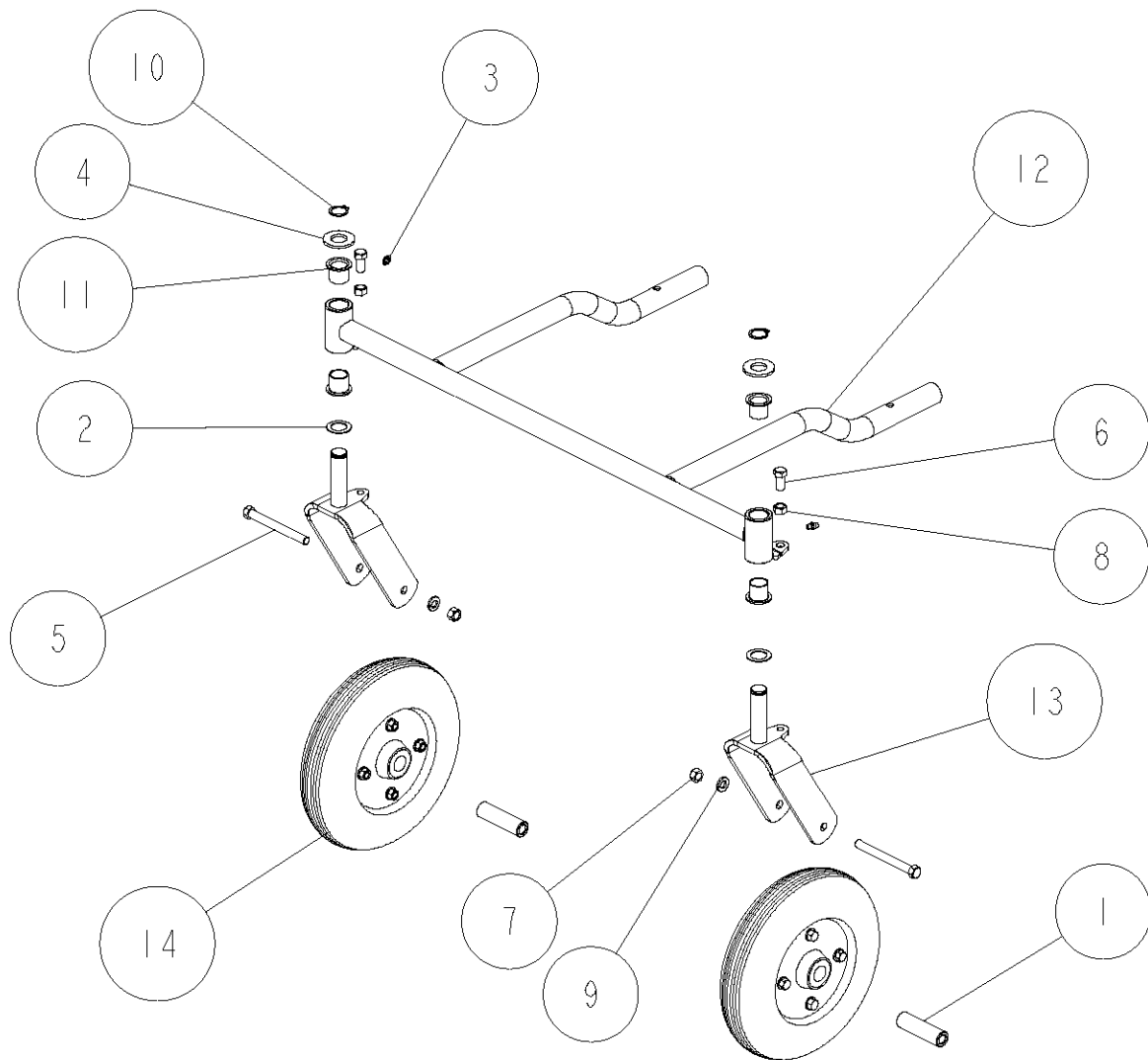
7	0223-71100	Blade Clutch Return Spring	1	
6	0223-10600	Blade Clutch Rod	1	
5	0223-10500	Blade Clutch Stopper	1	
4	89-2521-000100	E Type Ring 10	1	
3	89-2181-060142	Flat Head Pin 6*14	1	
2	89-2132-060002	Snap Pin 6	1	
1	89-1711-060002	Flat Washer 6	1	
Ref.	Parts Number	Parts Name	Quantity	Remarks



8	0223-10800	Wire pulling CMP	1	
7	0211-70400	Stopper return spring	1	
6	0211-20400	Blade tension lever	1	
5	89-2521-000100	E Type Ring 10	1	
4	89-2521-000050	E Type Ring 5	2	
3	89-1711-060002	Flat Washer 6	2	
2	80-1417-255-00	Lever Grip(Red) 10	1	
1	80-1417-253-00	Stopper	1	
Ref.	Parts Number	Parts Name	Quantity	Remarks

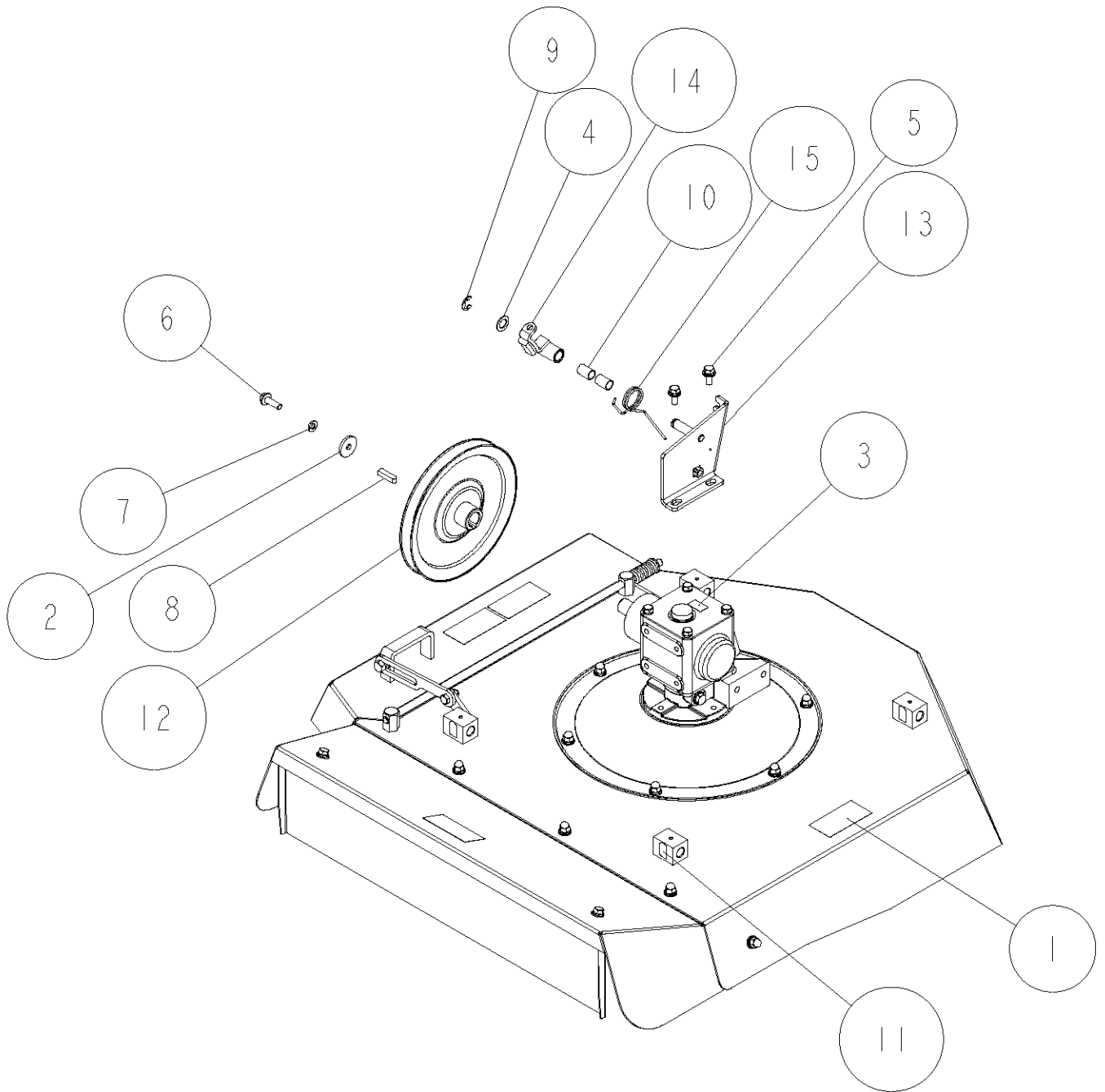


10	0223-71700	Label, Driving Clutch	1	
9	0223-10300	Drive Clutch Lever	1	
8	0223-10200	Knife Clutch Lever	1	
7	0223-10100	Handle CMP	1	
6	89-2131-080002	Snap Pin 8	2	
5	89-1551-060002	Hexagonal U Nut M6	2	
4	89-1113-060552	Hexagonal Bolt (8T) M6*55	2	
3	83-1761-457-00	Side Clutch Lever	2	
2	83-1560-414-00	Handle Grip 27	2	
1	80-1417-918-00	Label, Cutting	1	
Ref.	Parts Number	Parts Name	Quantity	Remarks

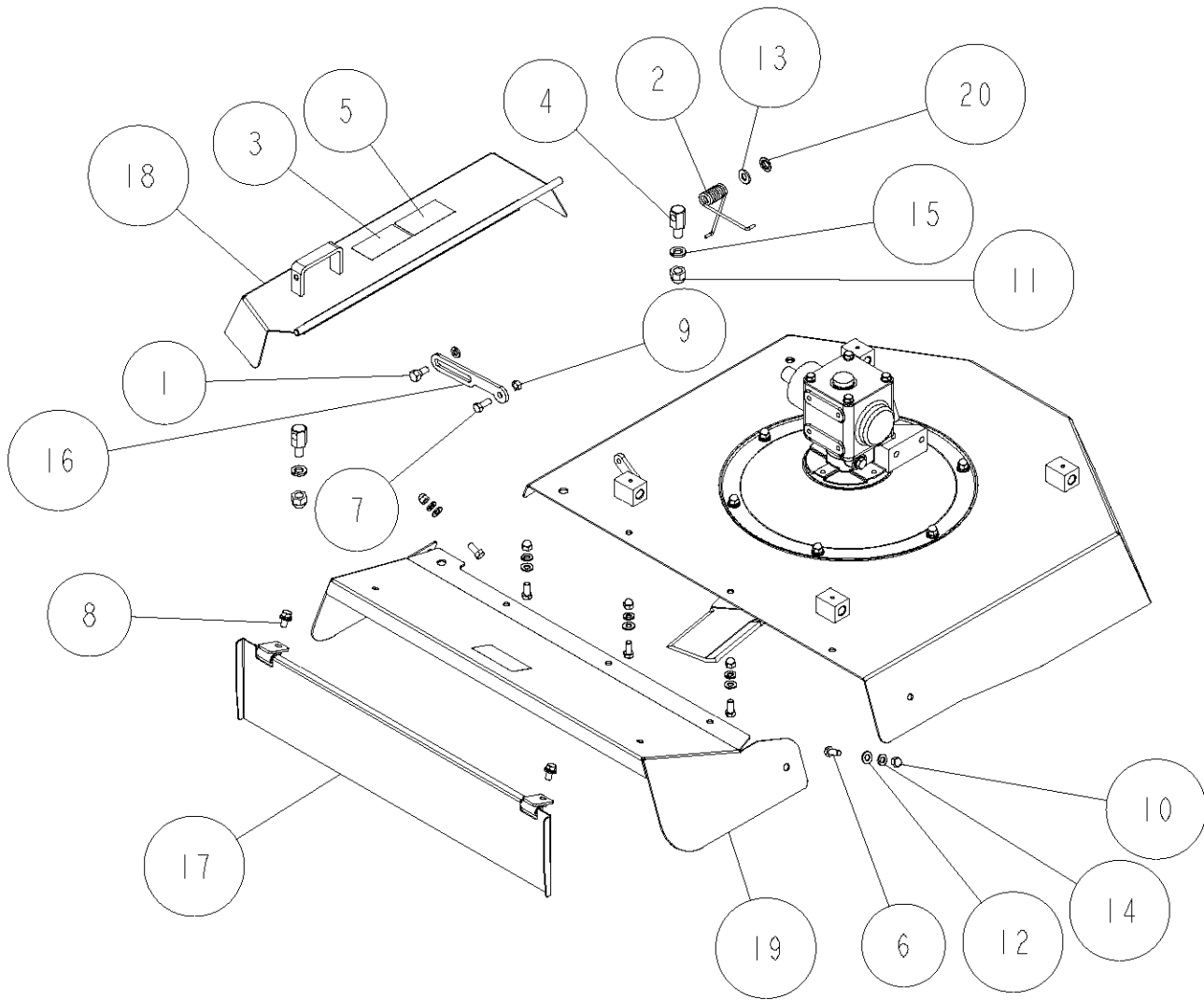


14	0223-70100	Front Wheel (G-250N)	2	
13	0223-30300	Front Wheel Fork	2	
12	0223-24100	Front Arm CMP	1	
11	89-3511-020200	DU Bush 20.20.31F	4	
10	89-2511-000200	Snap Ring (S20)	2	
9	89-1750-100002	Spring Washer 10	2	
8	89-1611-100042	Mini Hexagonal Nut M10	2	
7	89-1561-100002	Mini Hexagonal U Nut M10	2	
6	89-1213-100202	Mini Hexagonal Bolt (8T) M10*20	2	
5	89-1211-100952	Mini Hexagonal Bolt M10*95	2	
4	83-1490-337-00	Washer 20*38*3.2	2	
3	83-1415-975-00	Grease Nipple M6	2	
2	83-1310-371-00	Thrust Washer 20*30*1.0	2	
1	80-1614-726-00	Front Wheel Collar	2	
Ref.	Parts Number	Parts Name	Quantity	Remarks

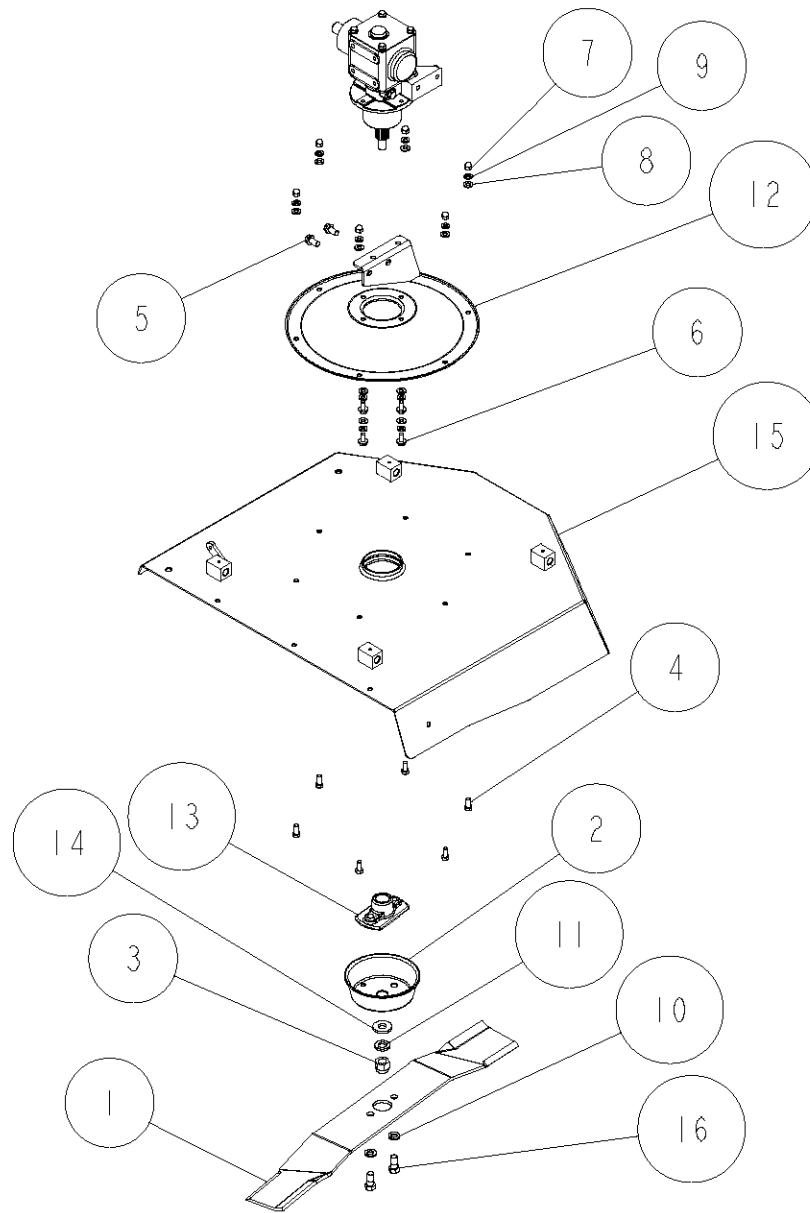




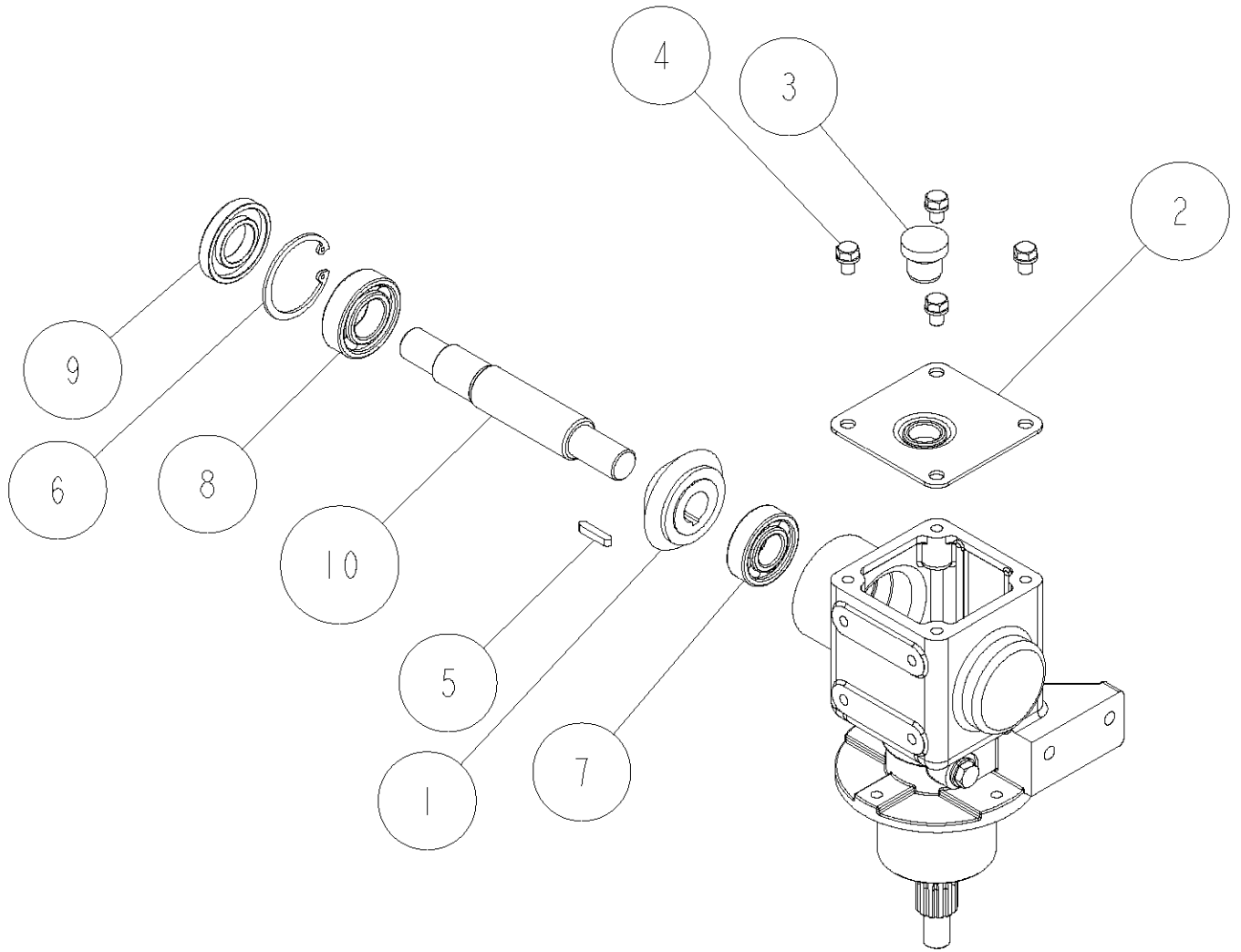
15	0223-72500	Spring	1	
14	0223-51400	Knife Brake	1	
13	0223-51300	Knife Brake Bracket CMP	1	
12	0223-40300	Knife Pulley	1	
11	0215-81900	Label, Oiling	4	
10	89-3510-012200	DU Bush 12.20	2	
9	89-2521-000100	E Type Ring 10	1	
8	89-2151-070300	Key 7*30(harf round)	1	
7	89-1750-080002	Spring Washer 8	1	
6	89-1253-080252	Flange Hexagonal Bolt (8T) M8*25	1	
5	89-1233-080202	Mini Hexagonal Bolt (PWSW) M8*20	2	
4	83-1754-329-00	Washer 13*22*1.0	1	
3	83-1210-913-00	Label (0.4)	1	
2	83-1020-312-00	Washer 8*30*3.2	1	
1	80-1488-926-10	Label, Caution for Knife	1	
Ref.	Parts Number	Parts Name	Quantity	Remarks



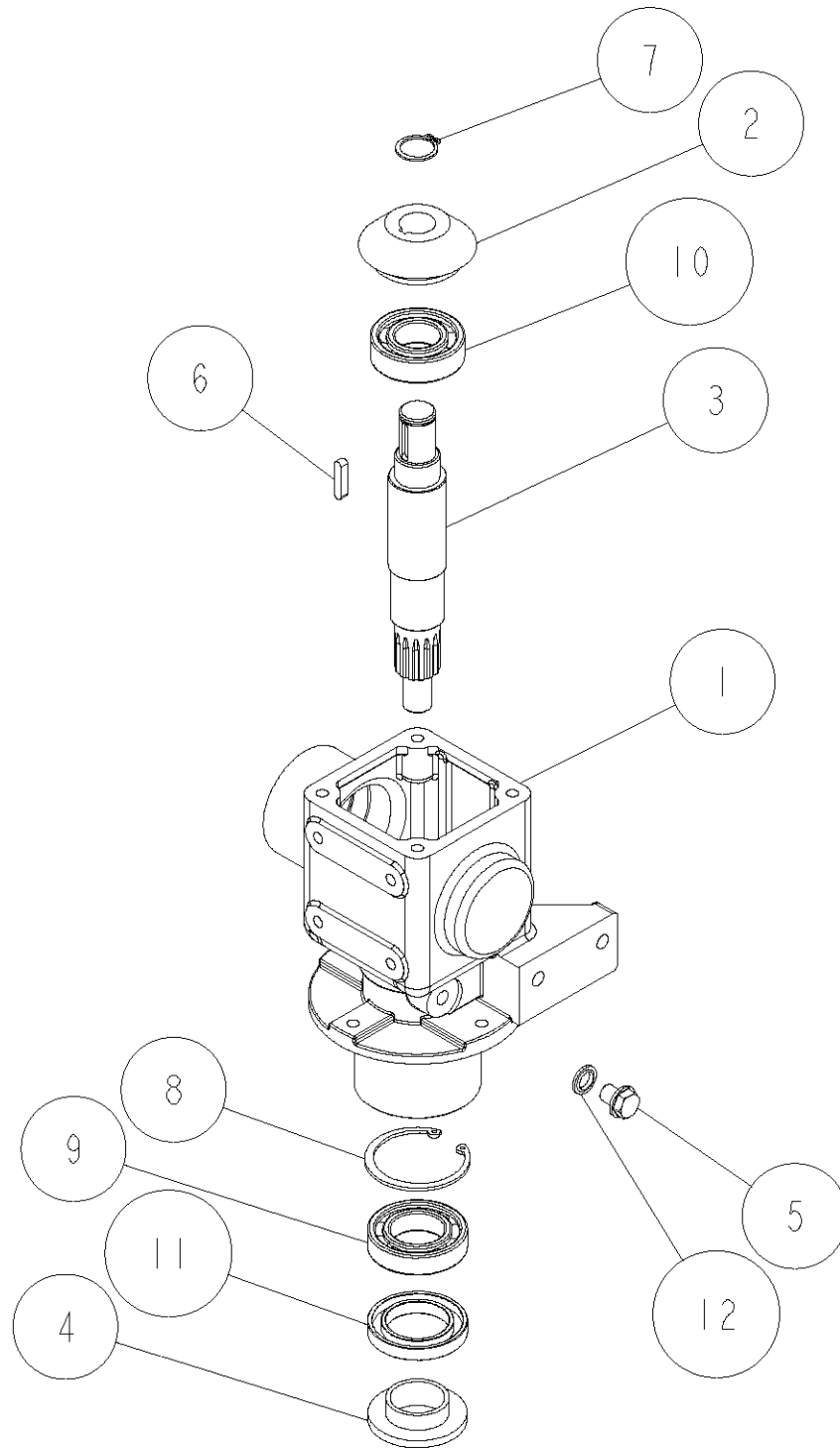
20	0223-71400	Push Nut 10	1	
19	0223-56400	Front Cover CMP	1	
18	0223-56300	Cover CMP (Right)	1	
17	0223-56200	Front Guard CMP	1	
16	0221-52400	Right Cover Up/Down Arm	1	
15	89-1750-120002	Spring Washer 12	2	
14	89-1750-080002	Spring Washer 8	6	
13	89-1714-100002	Flat Washer 10	1	
12	89-1711-080002	Flat Washer 8	5	
11	89-1671-120042	Mini Hexagonal Cap Nut M12	2	
10	89-1671-080042	Mini Hexagonal Cap Nut M8	5	
9	89-1611-080042	Mini Hexagonal Nut M8	1	
8	89-1233-080162	Mini Hexagonal Bolt (PWSW) M8*16	2	
7	89-1211-080202	Mini Hexagonal Bolt M8*20	1	
6	89-1211-080182	Mini Hexagonal Bolt M8*18	5	
5	83-1260-9080-00	Attention Mark for Reversing	1	
4	80-1493-748-00	Right Cover Receiver Bolt	2	
3	80-1488-926-10	Label, Caution for Knife	2	
2	80-1488-749-00	Spring for Right Cover	1	
1	80-1488-747-00	Bolt for Right Cover Up/Down Arm	1	
Ref.	Parts Number	Parts Name	Quantity	Remarks



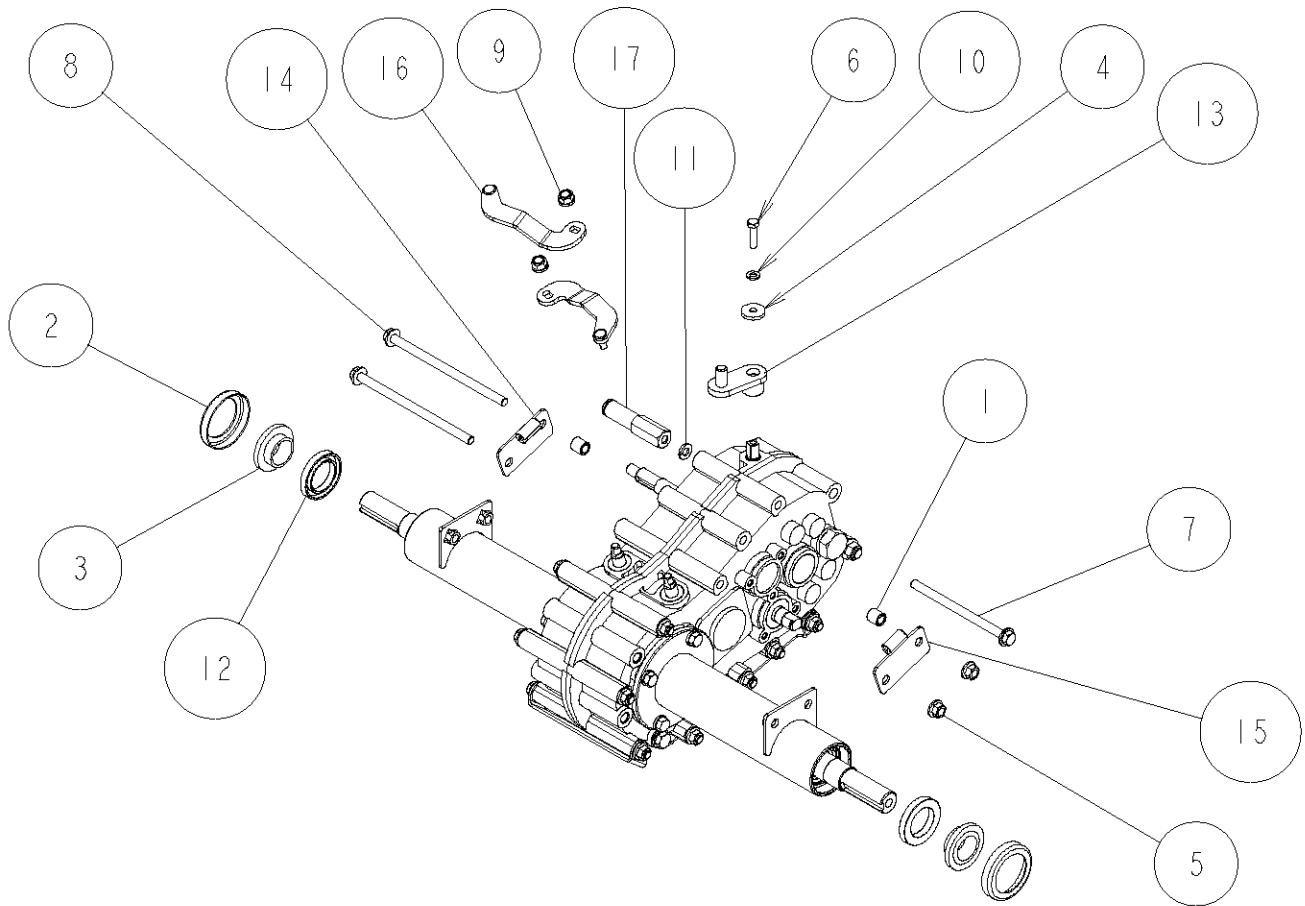
16	0223-71300	Blade Bolt(8T)M12*25 P=1.25Meck	2	
15	<b>0223-56100</b>	<b>Rotary Cover CMP</b>	1	
14	0223-51800	Washer for Knife Bracket Holder	1	
13	0223-51700	Knife Bracket	1	
12	0223-50200	Gear Case Bracket	1	
11	89-1750-160002	Spring Washer 16	1	
10	89-1750-120002	Spring Washer 12	2	
9	89-1750-080002	Spring Washer 8	10	
8	89-1711-080002	Flat Washer 8	10	
7	89-1671-080042	Mini Hexagonal Cap Nut M8	6	
6	89-1253-080162	Flange Hexagonal Bolt (8T) M8*16	4	
5	89-1232-100202	Mini Hexagonal Bolt (SW) M10*20	2	
4	89-1211-080182	Mini Hexagonal Bolt M8*18	6	
3	83-1732-175-00	Bag Nut M16 (Rock)	1	
2	80-1493-836-00	Knife Neck Guard	1	
1	80-1030-821-00	Blade H40	1	
Ref.	Parts Number	Parts Name	Quantity	Remarks



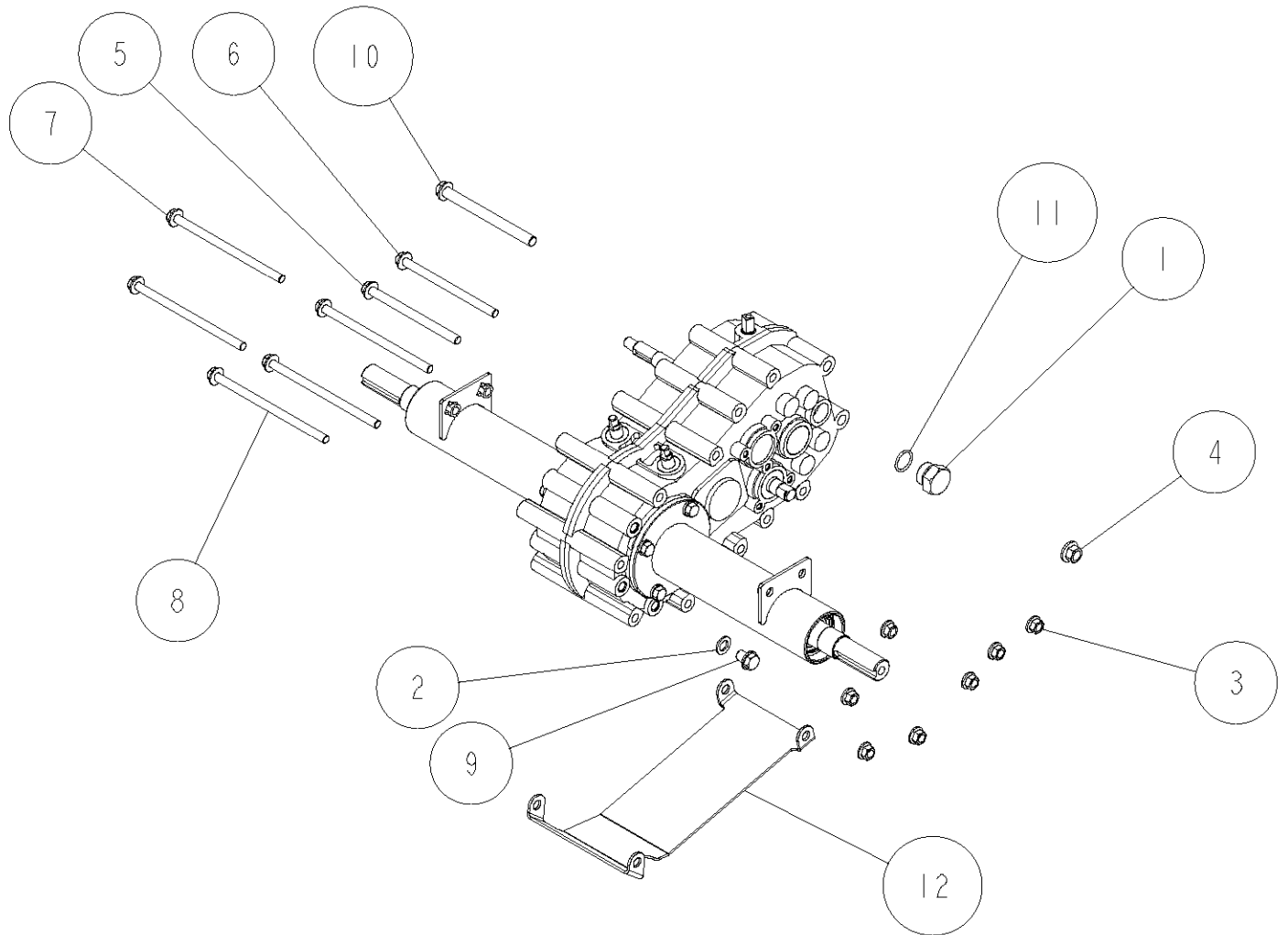
10	0223-51100	Horizontal Shaft	1	
9	89-5121-255208	Oil Seal UE 25.52.8	1	
8	89-3111-062054	Bearing 6205	1	
7	89-3111-062044	Bearing 6204	1	
6	89-2512-000520	Snap Ring (R52)	1	
5	89-2150-050250	Key 5*25(round)	1	
4	89-1232-080122	Mini Hexagonal Bolt (SW) M8*12	4	
3	83-1210-684-00	Oil Cap, KRM-A2	1	
2	84-1713-606-00	Gear Box Cover	1	
1	80-1415-618-00	Bevel Gear 20T, Left	1	
Ref.	Parts Number	Parts Name	Quantity	Remarks



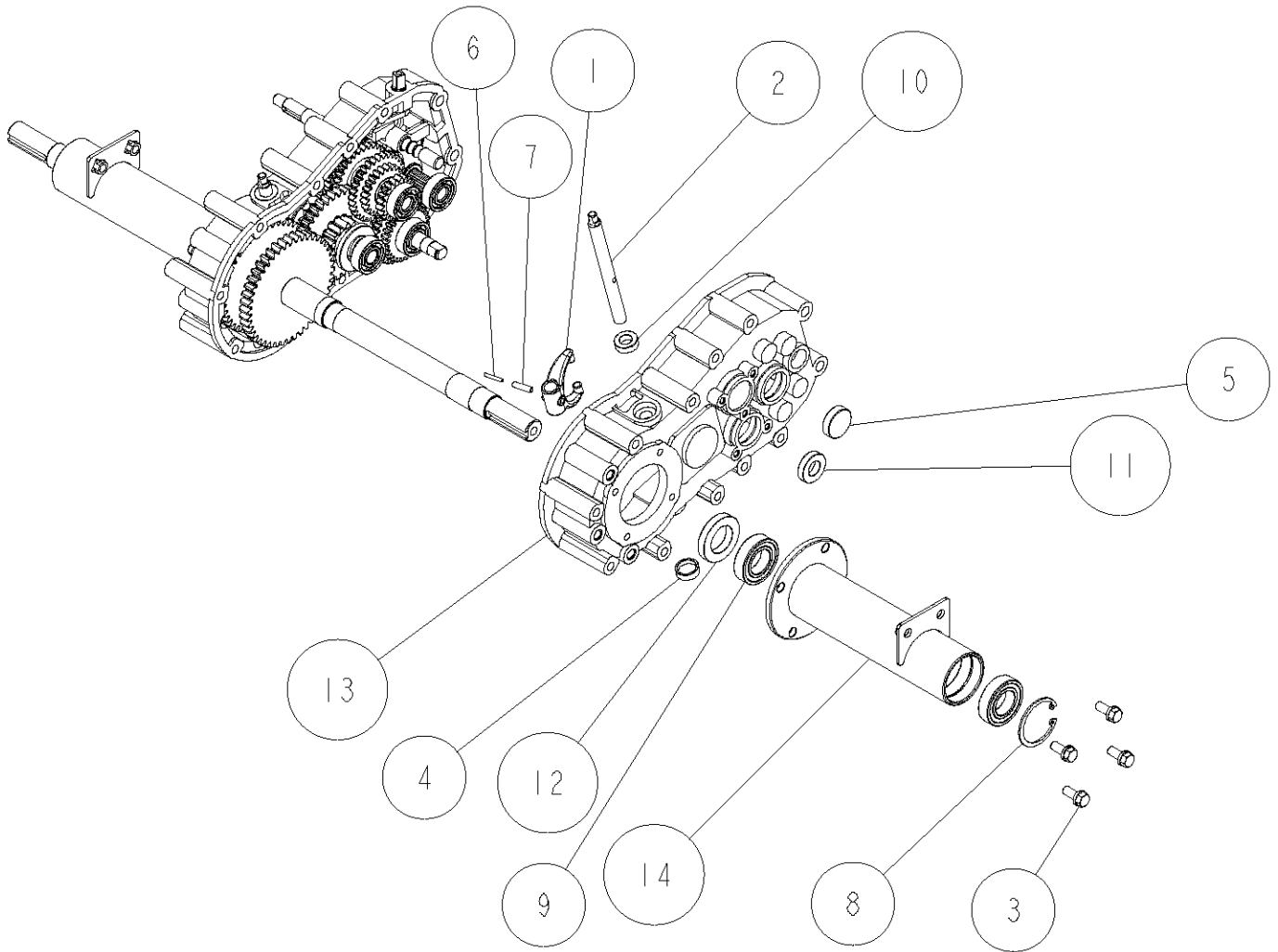
12	89-5230-100000	Seal Washer 10	1	
11	89-5121-355508	Oil Seal UE 35.55.8	1	
10	89-3111-062054	Bearing 6205	1	
9	89-3111-060064	Bearing 6006	1	
8	89-2512-000550	Snap Ring (R55)	1	
7	89-2511-000200	Snap Ring (S20)	1	
6	89-2150-050250	Key 5*25(round)	1	
5	89-1251-100122	Flange Hexagonal Bolt M10*12	1	
4	83-1415-662-00	Oil Seal AP 35.55.8	1	
3	80-1415-641-00	Shaft	1	
2	80-1415-622-00	Bevel Gear 20T, Right	1	
1	80-1415-601-10	Gear Case	1	
Ref.	Parts Number	Parts Name	Quantity	Remarks



17	0223-03600	Tension Arm Shaft	1	
16	0223-03500	Side Clutch Arm CMP	2	
15	0223-03400	Side Clutch Wire Receiver (L)	1	
14	0223-03300	Side Clutch Wire Receiver (R)	1	
13	0223-03200	Change Arm CMP	1	
12	89-5121-304707	Oil Seal UE 30.47.7	2	
11	89-1750-080002	Spring Washer 8	1	
10	89-1750-060002	Spring Washer 6	1	
9	89-1543-080002	Mini Hexagonal Nut (SW) M8	2	
8	89-1253-081453	Small Flange Bolt (8T)M8*145	2	
7	89-1253-081203	Small Flange Bolt (8T)M8*120	1	
6	89-1111-060252	Hexagonal Bolt M6*25	1	
5	83-1484-255-00	Rock Nut ZUF M8	2	
4	83-1482-311-00	Washer 6.5*22*3.2	1	
3	83-1415-663-00	Oil Seal AP 30.47.7	2	
2	80-1415-441-00	Dust Cover	2	
1	80-1020-270-00	Inner Collar	2	
Ref.	Parts Number	Parts Name	Quantity	Remarks

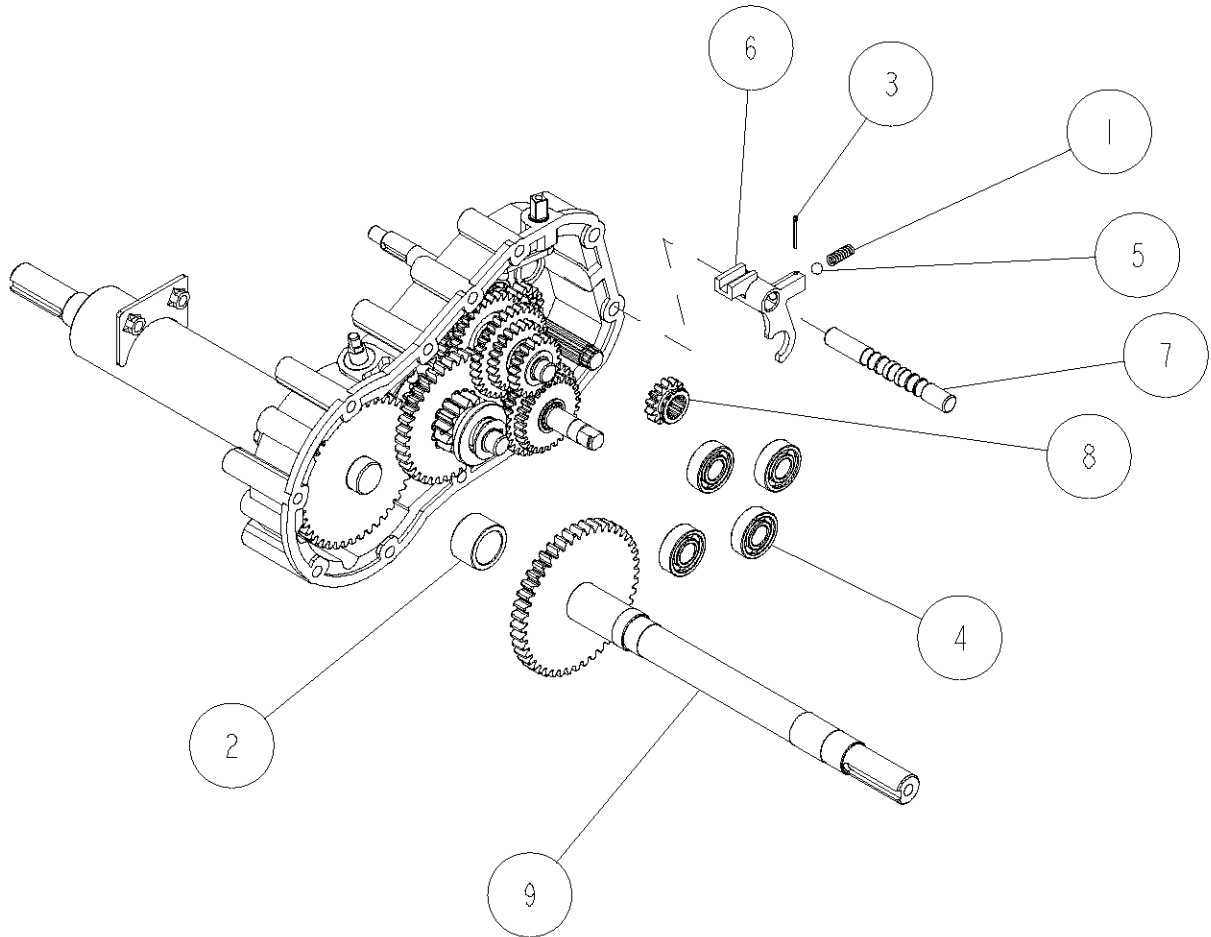


12	0223-03100	Mission Guard CMP	1	
11	89-5221-018000	O Ring P18	1	
10	89-1254-101153	Flange Hexagonal Bolt M10*1.25*115	1	
9	89-1254-100122	Flange Hexagonal Bolt M10*1.25*12	1	
8	89-1253-081453	Small Flange Bolt (8T)M8*145	1	
7	89-1253-081403	Small Flange Bolt (8T)M8*140	4	
6	89-1253-081203	Small Flange Bolt (8T)M8*120	1	
5	89-1253-081153	Small Flange Bolt (8T)M8*115	1	
4	83-1493-255-00	Washer Based Rock Nut(slender)M10	1	
3	83-1484-255-00	Rock Nut ZUF M8	7	
2	83-1020-349-00	Packing 10.5*18*1.6	1	
1	80-1032-119-00	Oil Cock M22	1	
Ref.	Parts Number	Parts Name	Quantity	Remarks

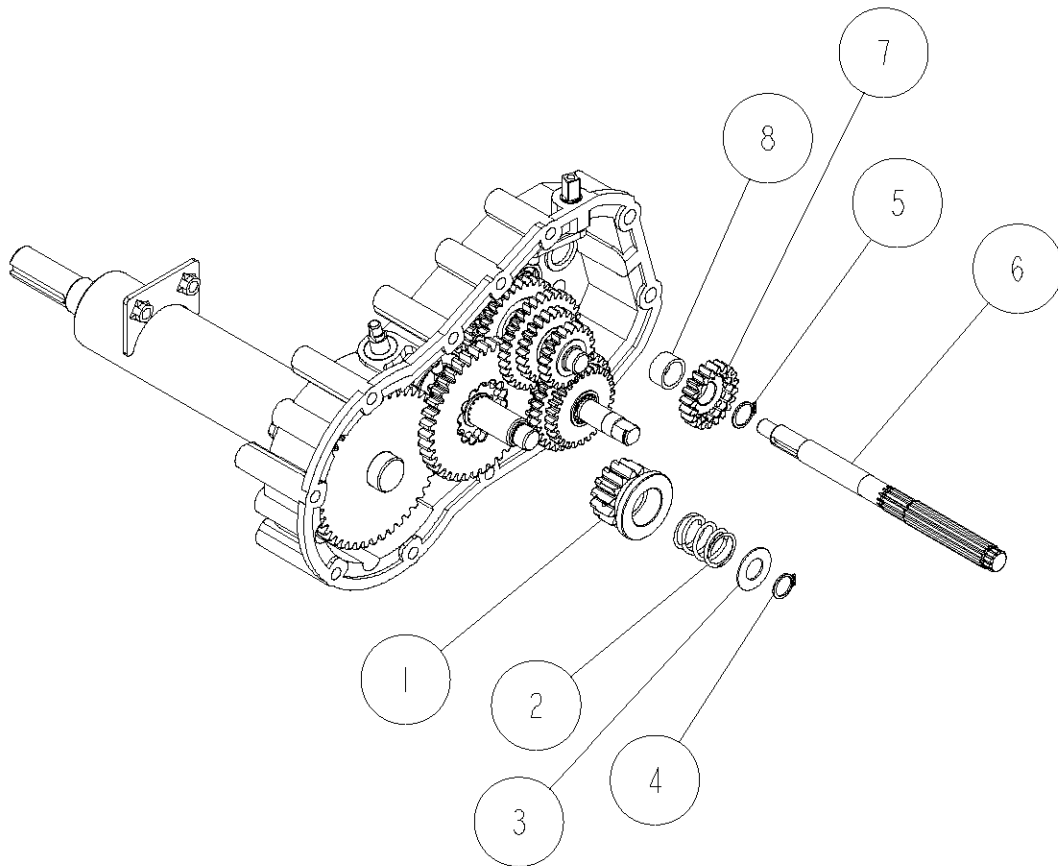


14	0223-02900	Axle BB Case (Left)	1	
13	0223-00200	Transmission Case(L)	1	
12	89-5121-284708	Oil Seal UE 28.47.8.	1	
11	89-5121-153007	Oil Seal UE 15.30.7	1	
10	89-5121-122207	Oil Seal UE 12.22.7	1	
9	89-3115-060054	Bearing 6005 2RS	2	
8	89-2512-000470	Snap Ring (R47)	1	
7	89-2111-050020	Spring Pin 5*20	1	
6	89-2111-030020	Spring Pin 3*20	1	
5	83-1415-672-00	Black Cap 30	1	
4	83-1415-671-00	Black Cap 22	1	
3	83-1415-127-00	Seal Bolt(SW) M8x20	4	
2	80-1425-112-00	Driving Clutch Folk Shaft	1	
1	80-1415-114-00	Side Clutch Folk	1	
Ref.	Parts Number	Parts Name	Quantity	Remarks

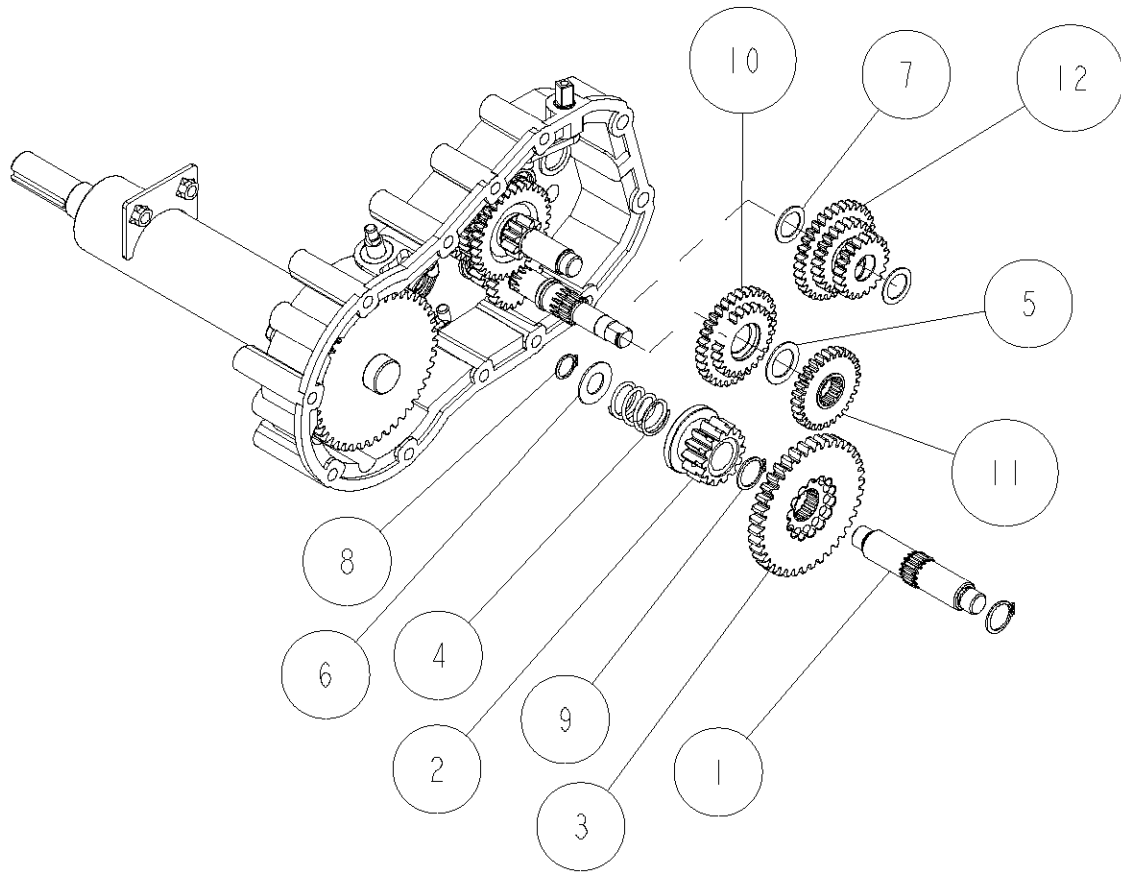




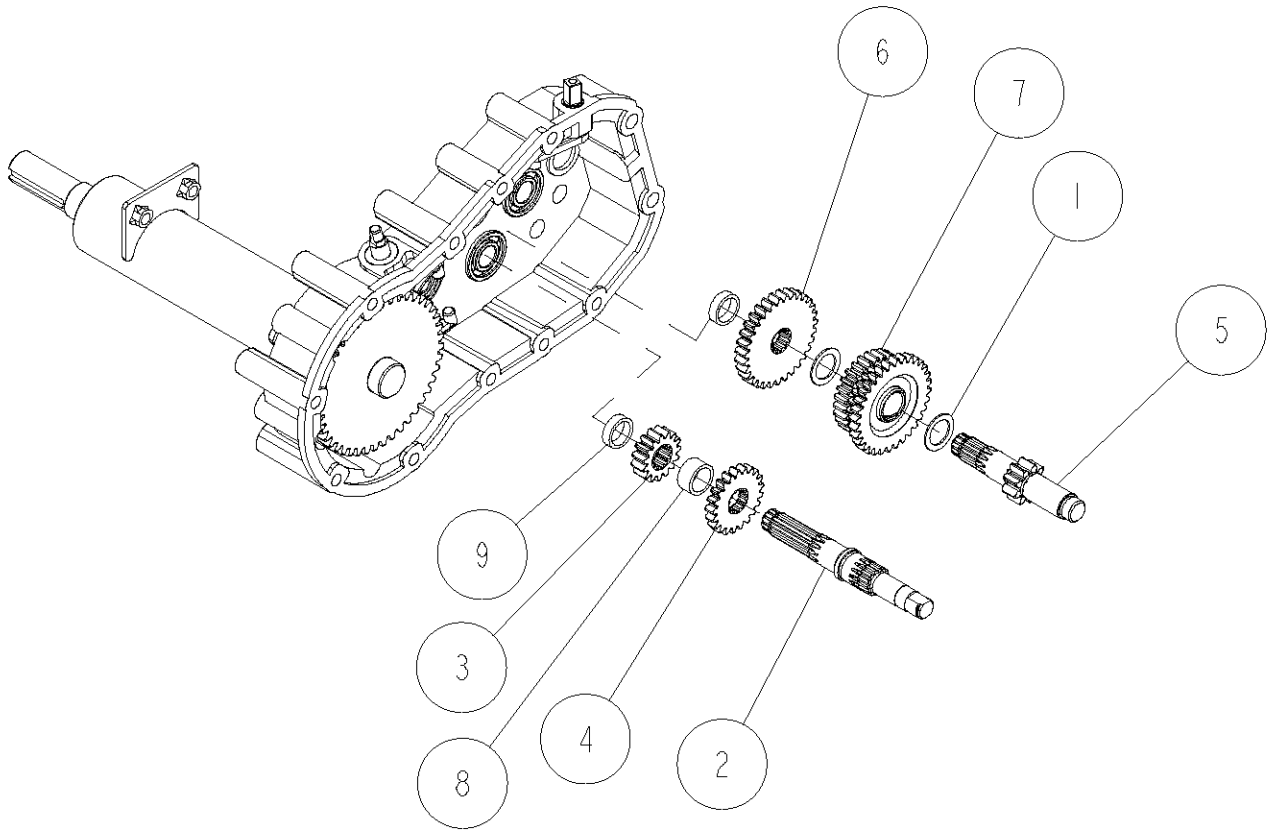
9	0223-02700	Axle CMP	1	
8	0223-00700	1st Shaft Shift Gear 14T	1	
7	0223-00400	Shift Fork Shaft	1	
6	0223-00300	Shift Fork	1	
5	89-3410-075000	Steel Ball 7.5	1	
4	89-3111-062024	Bearing 6202	4	
3	89-2120-200202	Split Pin 2*20	1	
2	80-1920-147-00	Axle Collar	1	
1	80-1310-138-00	Spring 1.4	1	
Ref.	Parts Number	Parts Name	Quantity	Remarks



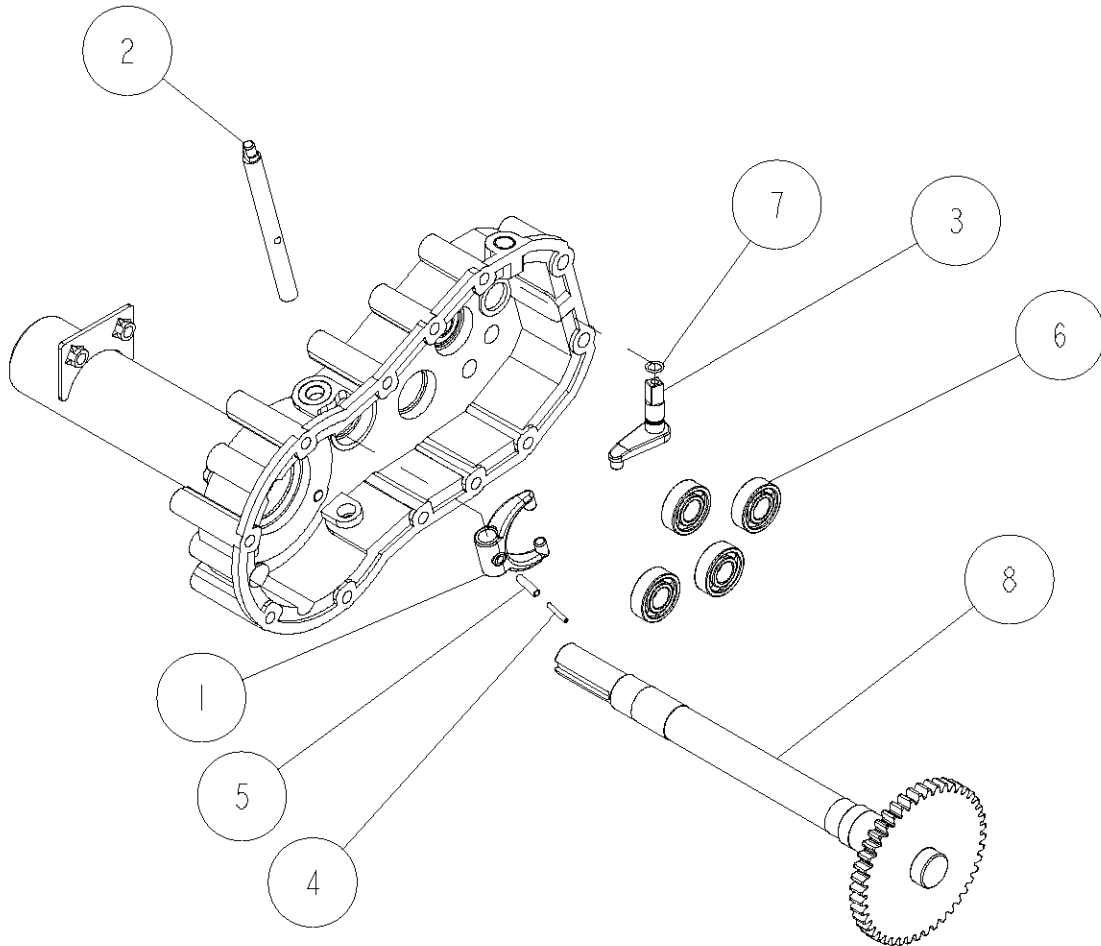
8	0223-02400	Collar 11L	1	
7	0223-00600	1st Shaft Gear 20T	1	
6	0223-00500	1st Shaft	1	
5	89-2511-000160	Snap Ring (S16)	1	
4	89-2511-000150	Snap Ring (S15)	1	
3	83-1633-362-10	Thrust Washer 15*30*1.2	1	
2	80-1575-162-00	Side Clutch Spring	1	
1	80-1032-141-00	Side Clutch Gear 14T	1	
Ref.	Parts Number	Parts Name	Quantity	Remarks



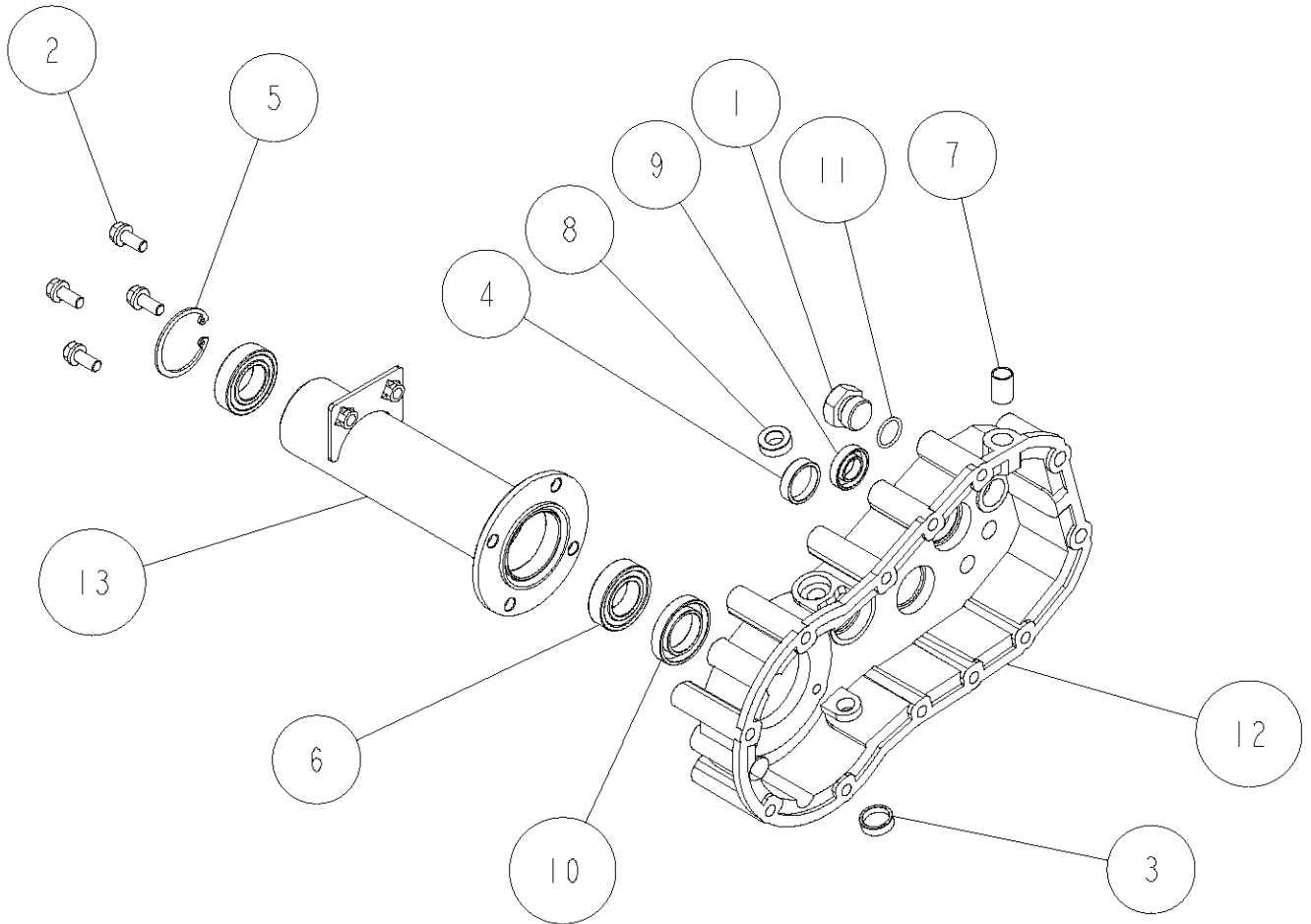
12	0223-02100	3rd Shaft Gear 20T CMP	1	
11	0223-01300	2nd Shaft Gear 28T	1	
10	0223-01200	Back Gear CMP	1	
9	89-2511-000200	Snap Ring (S20)	2	
8	89-2511-000150	Snap Ring (S15)	1	
7	83-1830-368-00	Thrust Washer 18*26*1.0	2	
6	83-1633-362-10	Thrust Washer 15*30*1.2	1	
5	83-1310-371-00	Thrust Washer 20*30*1.0	1	
4	80-1575-162-00	Side Clutch Spring	1	
3	80-1575-142-00	Side Clutch Gear 38T	1	
2	80-1032-141-00	Side Clutch Gear 14T	1	
1	80-1032-140-00	Side Clutch Shaft	1	
Ref.	Parts Number	Parts Name	Quantity	Remarks



9	0223-02500	Collar 6L	2	
8	0223-02400	Collar 11L	1	
7	0223-01600	3rd Shaft Gear 28T CMP	1	
6	0223-01500	3rd Shaft Gear 31T	1	
5	0223-01400	3rd Shaft	1	
4	0223-01100	2nd Shaft Gear 21T	1	
3	0223-00900	2nd Shaft Gear 15T	1	
2	0223-00800	2nd Shaft	1	
1	83-1830-368-00	Thrust Washer 18*26*1.0	2	
Ref.	Parts Number	Parts Name	Quantity	Remarks



8	0223-02700	Axle CMP	1	
7	89-5221-009000	O Ring P9	1	
6	89-3111-062024	Bearing 6202	4	
5	89-2111-050020	Spring Pin 5*20	1	
4	89-2111-030020	Spring Pin 3*20	1	
3	80-1575-109-00	Sub Speed Change Swing Arm	1	
2	80-1425-112-00	Driving Clutch Folk Shaft	1	
1	80-1415-114-00	Side Clutch Folk	1	
Ref.	Parts Number	Parts Name	Quantity	Remarks



13	0223-02800	Axle BB Case (Right)	1	
12	0223-00100	Transmission Case(R)	1	
11	89-5221-018000	O Ring P18	1	
10	89-5121-284708	Oil Seal UE 28.47.8.	1	
9	89-5121-153007	Oil Seal UE 15.30.7	1	
8	89-5121-122207	Oil Seal UE 12.22.7	1	
7	89-3510-012200	DU Bush 12.20	1	
6	89-3115-060054	Bearing 6005 2RS	2	
5	89-2512-000470	Snap Ring (R47)	1	
4	83-1415-672-00	Black Cap 30	1	
3	83-1415-671-00	Black Cap 22	1	
2	83-1415-127-00	Seal Bolt(SW) M8x20	4	
1	80-1032-119-00	Oil Cock M22	1	
Ref.	Parts Number	Parts Name	Quantity	Remarks